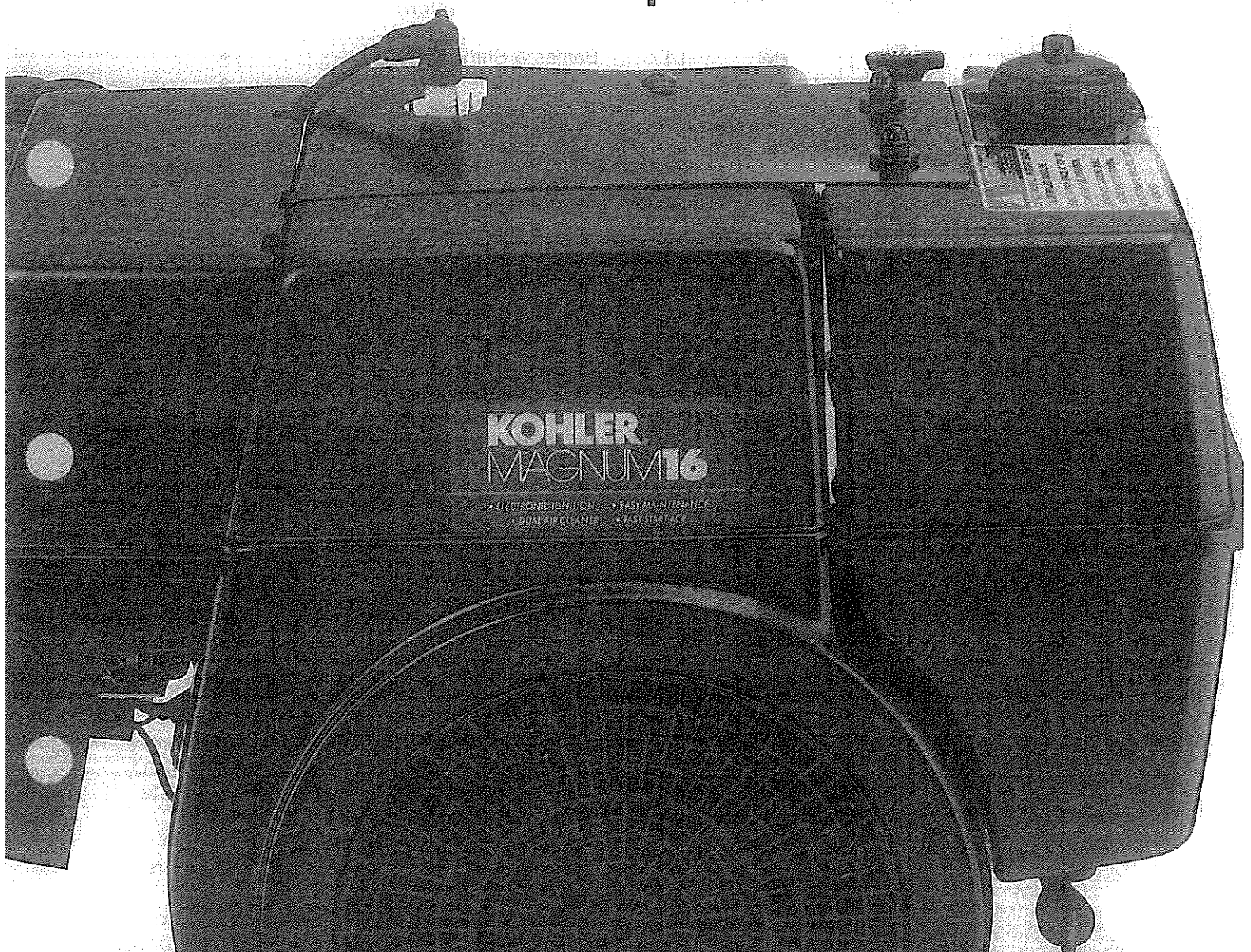


KOHLERengines

PARTS MANUAL

M16 – 16 HP

Specs. 711500 – 711587



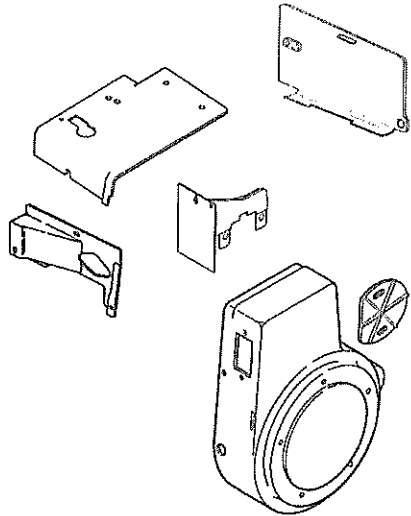
MAGNUM

Composite Exploded View

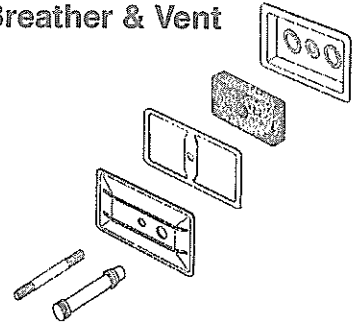
**Group 1
Air Intake**



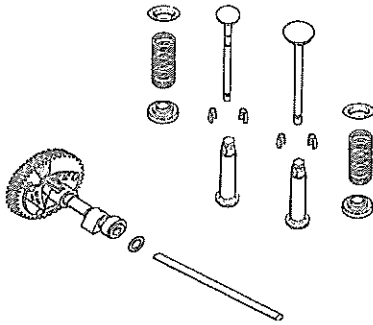
**Group 2
Baffles & Shroud**



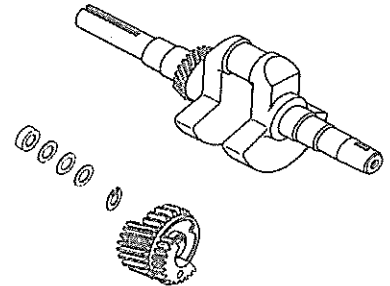
**Group 3
Breather & Vent**



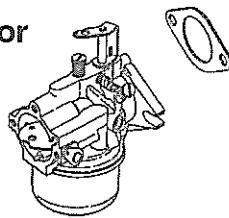
**Group 4
Camshaft & Valves**



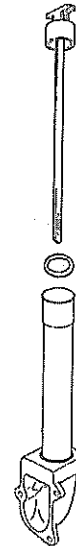
**Group 8
Crankshaft**



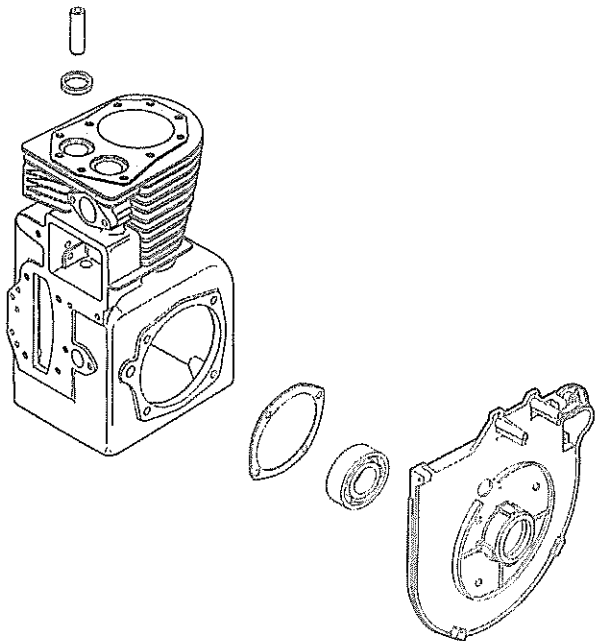
**Group 5
Carburetor**



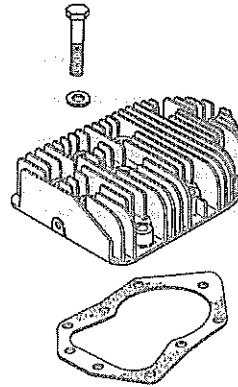
**Group 10
Dipstick**



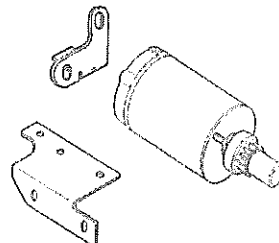
**Group 7
Crankcase**



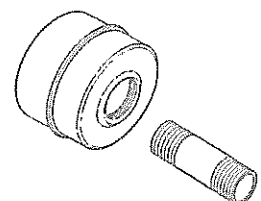
**Group 9
Cylinder Head**



**Group 11
Electric Start**

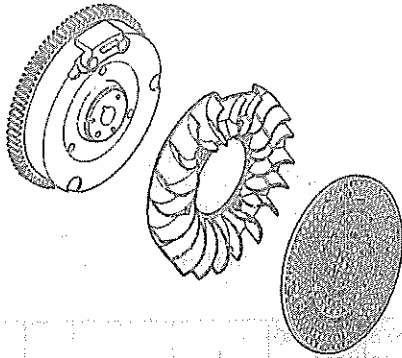


**Group 12
Exhaust**

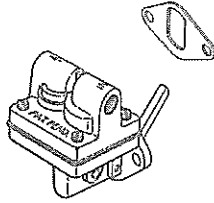


Composite Exploded View

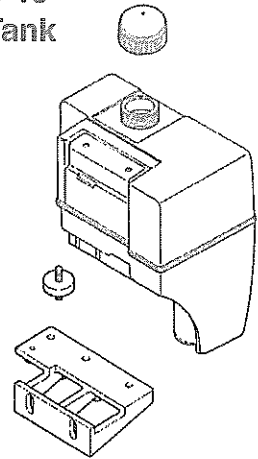
**Group 13
Flywheel**



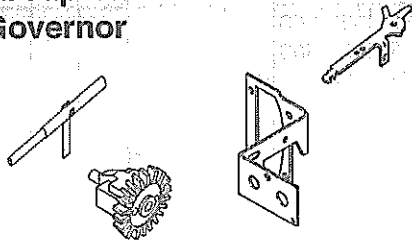
**Group 14
Fuel Pump**



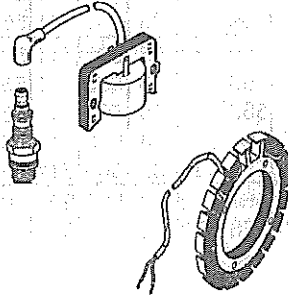
**Group 15
Fuel Tank**



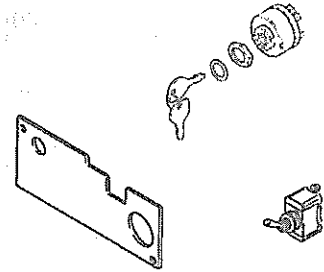
**Group 17
Governor**



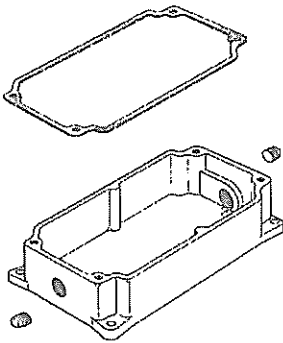
**Group 18
Ignition**



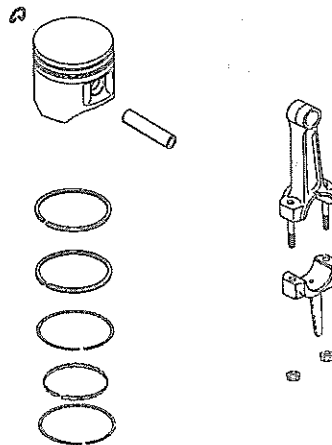
**Group 19
Instrument Panel**



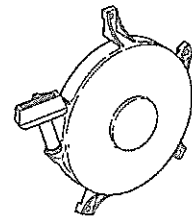
**Group 21
Oil Pan**



**Group 22
Piston & Rod**



**Group 23
Retractable Starter**



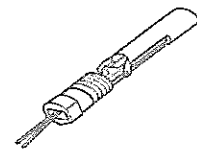
**Group 24
Remote Throttle**



**Group 31
High Temp. Cutout**



**Group 32
Oil Level Cutout**



Specification Number Index

Group Title & Number	Air Intake	Baffles & Shroud	Breather & Vent	Camshaft & Valves	Carburetor	Crankcase	Crankshaft	Cylinder Head	Dipstick	Electric Start	Exhaust	Flywheel	Fuel Pump	Fuel Tank	Governor	Ignition	Instrument Panel	Oil Pan	Piston & Rod	Retractable Starter	Remote Throttle	High Temp. Cutout	Low Oil Pres. Switch		
	1	2	3	4	5	7	8	9	10	11	12	13	14	15	17	18	19	21	22	23	24	31	32		
Page No.	8	11	14	15	16	19	21	23	24	25	27	28	30	32	34	41	44	46	47	48	51	51	51		
Grid No.	A8	A11	A14	B1	B2	B5	B7	B9	B10	B11	B13	B14	C2	C4	C6	C13	D2	D4	D5	D6	D9	D9	D9		

Spec. No.	Variation No.																								
711500	598	500	512	586	500	84	649	27	569	-	25	500	511	566	551	737	573	558	500	-	-	-	-	-	-
711501	598	501	512	586	500	84	649	27	569	-	25	502	511	566	551	737	573	558	500	500	-	-	-	-	-
711502	598	502	512	13	500	84	649	27	569	576	25	503	511	566	552	736	574	558	500	-	-	-	-	-	-
711503	598	503	512	587	500	84	649	27	569	576	25	504	511	566	552	736	574	558	500	500	-	-	-	-	-
711504	598	501	512	586	500	87	57	27	569	-	25	505	511	566	553	737	581	558	500	500	-	-	-	-	-
711505	598	502	512	13	500	87	57	27	569	576	25	503	511	566	554	736	582	558	500	-	-	-	-	-	-
711506	598	504	512	586	500	87	69	27	569	-	25	500	511	566	553	737	581	558	500	-	-	-	-	-	-
711507	598	501	512	586	500	87	69	27	569	-	25	502	511	566	553	737	581	558	500	500	-	-	-	-	-
711510	589	505	512	13	501	84	649	27	568	576	28	503	511	567	552	736	574	854	500	-	-	-	-	-	-
711512	598	506	512	13	57	99	649	27	569	581	32	505	511	568	555	755	-	561	500	-	-	-	-	-	-
711513	584	506	512	13	57	92	63	27	568	582	501	503	502	569	556	755	-	854	3	-	-	-	-	-	-
711514	600	507	512	13	57	99	649	27	568	578	32	505	504	-	55	738	-	561	500	-	-	-	-	-	-
711518	598	508	512	13	501	97	649	27	568	576	25	506	503	567	552	737	583	854	500	-	-	-	-	-	-
711519	576	509	512	13	57	89	649	27	568	576	28	503	502	570	555	738	-	854	3	-	-	-	-	-	-
711521	599	510	513	13	503	99	649	27	568	578	7	507	505	-	557	739	-	561	500	-	-	-	-	-	-
711523	602	511	512	13	503	91	649	27	569	578	7	503	506	-	558	740	-	24	500	-	500	-	503	-	-
711524	598	512	512	13	500	84	649	27	569	580	25	507	507	580	552	736	574	558	500	-	-	-	-	-	-
711525	600	513	512	13	504	98	72	27	528	578	-	503	41	-	559	738	-	559	500	-	-	-	-	-	-
711526	601	514	509	13	505	91	650	27	569	578	7	508	508	-	560	755	-	854	500	-	-	-	-	-	-
711527	600	511	512	13	506	96	73	27	528	578	-	503	509	-	561	738	-	560	500	-	-	-	-	-	-
711528	4	515	501	13	506	94	45	27	528	578	-	509	509	-	561	755	-	561	500	-	-	-	-	-	-
711529	53	516	501	587	507	89	649	27	568	576	-	510	507	571	562	741	595	558	500	501	-	-	-	-	-
711530	598	512	512	13	501	84	649	31	568	580	502	503	510	-	552	742	584	562	500	-	-	1	502	-	-
711532	606	517	512	13	57	92	71	27	569	582	29	511	511	569	556	743	-	854	500	-	-	-	-	-	-
711533	4	515	509	13	60	100	73	27	35	578	26	503	512	-	563	738	-	557	500	-	-	-	-	-	-
711534	598	501	512	15	500	87	57	27	568	-	25	502	511	572	553	737	581	562	500	500	-	-	-	502	-
711535	598	518	512	13	500	87	57	27	568	576	25	503	511	572	554	736	582	562	500	-	-	-	-	502	-
711536	595	511	512	13	510	93	45	27	569	585	-	512	507	-	564	744	-	563	500	-	-	-	-	-	-
711537	503	511	512	13	504	99	649	27	565	578	-	503	505	-	565	755	-	564	500	-	-	-	-	-	-
711539	53	519	501	15	503	89	649	27	568	-	504	513	507	573	562	745	-	558	500	502	-	-	-	-	-
711540	598	520	512	13	501	86	649	27	569	576	31	503	511	572	566	736	585	562	500	-	-	-	-	505	-
711541	598	518	512	13	501	87	69	27	568	576	25	514	502	566	567	736	590	558	500	-	-	-	-	-	-
711542	598	521	512	15	501	84	649	27	568	-	25	513	511	566	551	737	591	562	500	505	-	-	-	505	-
711543	598	522	512	15	501	84	649	27	568	-	505	515	502	566	568	737	592	558	500	503	-	-	-	-	-
711544	608	528	512	13	511	89	649	27	568	576	25	503	511	566	569	746	596	558	500	-	-	-	-	-	-
711545	598	518	512	13	501	84	649	27	568	576	25	503	511	566	566	736	585	562	500	-	-	-	-	505	-
711546	600	511	512	13	57	89	649	27	568	580	25	503	505	-	570	755	-	558	500	-	-	-	-	-	-
711547	600	513	512	13	508	98	72	27	528	578	-	503	513	-	571	738	-	565	500	-	-	-	-	-	-
711548	598	512	512	13	501	84	649	27	569	580	25	503	505	-	572	736	590	558	500	-	-	-	-	-	-
711549	606	518	512	13	501	84	649	27	569	576	34	503	502	572	572	736	590	558	500	-	-	-	-	-	-
711551	598	501	512	15	55	87	57	27	568	-	506	502	511	574	553	737	581	562	500	500	-	-	-	-	-
711552	608	518	512	588	55	87	57	27	568	576	506	520	511	574	554	736	582	562	500	-	-	-	-	502	-
711553	603	501	512	15	55	84	649	27	569	-	25	502	511	572	573	737	573	562	500	504	-	-	-	506	-
711554	608	518	512	15	55	84	649	27	569	576	25	503	511	574	573	736	593	562	500	-	-	-	-	507	-
711555	605	507	509	13	62	89	653	27	569	580	8	503	46	-	574	738	597	562	10	-	-	-	-	508	-

Specification Number Index

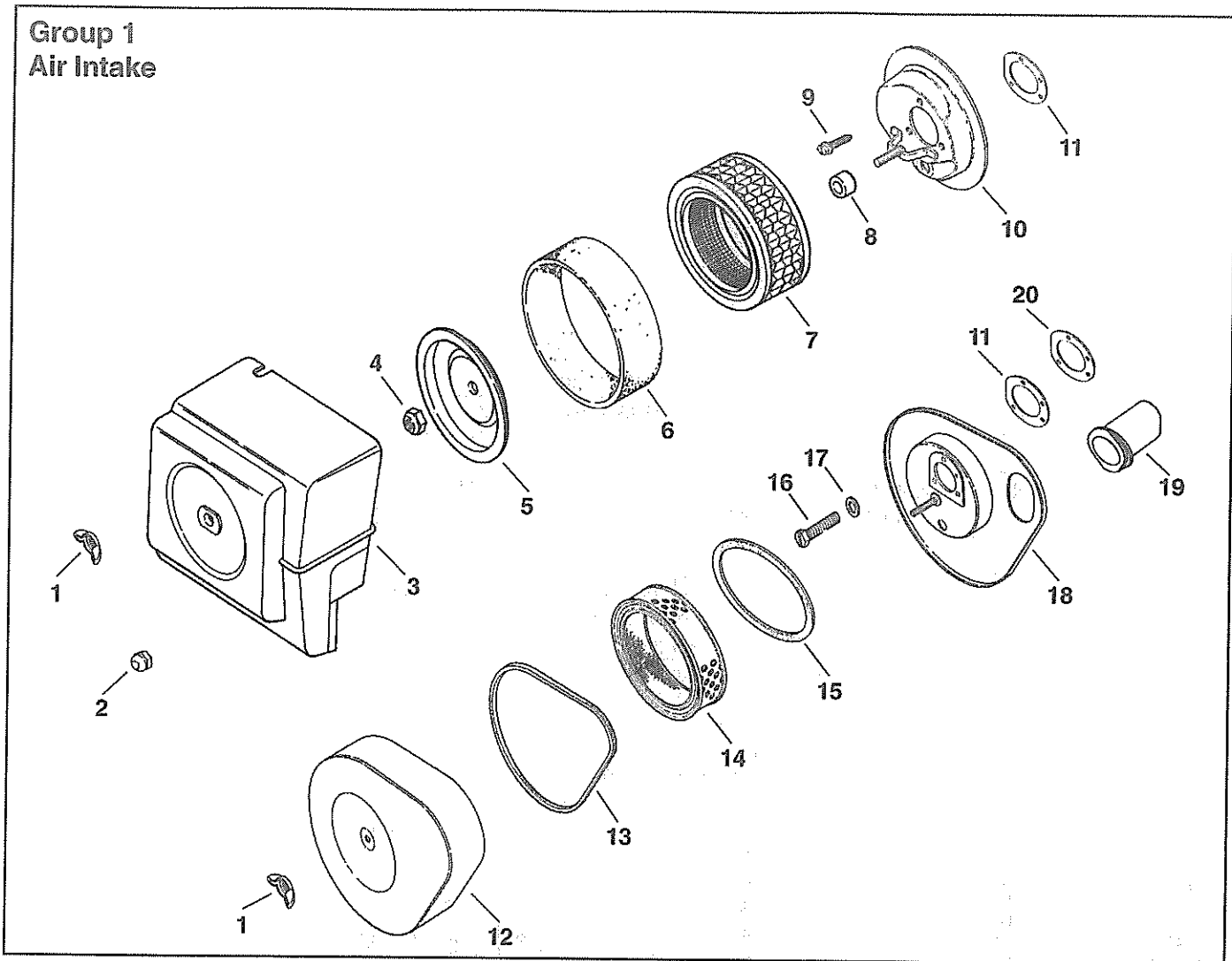
Group Title & Number	Air Intake	Baffles & Shroud	Breather & Vent	Camshaft & Valves	Carburetor	Crankcase	Crankshaft	Cylinder Head	Dipstick	Electric Start	Exhaust	Flywheel	Fuel Pump	Fuel Tank	Governor	Ignition	Instrument Panel	Oil Pan	Piston & Rod	Retractable Starter	Remote Throttle	High Temp. Cutout	Low Oil Pres. Switch		
	1	2	3	4	5	7	8	9	10	11	12	13	14	15	17	18	19	21	22	23	24	31	32		
Page No.	8	11	14	15	16	19	21	23	24	25	27	28	30	32	34	41	44	46	47	48	51	51	51		
Grid No.	A8	A11	A14	B1	B2	B5	B7	B9	B10	B11	B13	B14	C2	C4	C6	C13	D2	D4	D5	D6	D9	D9	D9		

Spec. No.
Variation No.

711556	608	518	512	15	63	87	76	27	569	576	25	514	511	575	575	736	574	558	10	-	-	-	-		
711557	608	504	512	15	63	87	76	27	569	-	25	501	511	575	573	737	573	558	10	-	-	-	-		
711559	556	523	512	13	66	99	649	27	569	581	503	505	511	576	56	755	-	561	10	-	-	-	-		
711560	55	523	509	13	509	91	77	27	568	576	7	503	514	577	576	747	-	558	10	-	-	-	-		
711561	609	524	512	13	63	84	649	27	568	576	28	503	511	578	577	736	594	562	10	-	-	-	505		
711562	595	511	512	13	72	101	78	27	569	586	-	512	507	-	578	744	-	25	10	-	-	-	-		
711563	601	514	509	13	62	102	79	27	569	578	7	516	515	-	580	755	-	854	10	-	-	-	-		
711564	608	514	512	13	63	103	652	27	569	576	506	503	511	575	575	736	589	562	10	-	-	-	505		
711565	601	514	509	13	62	91	80	27	569	578	7	516	516	-	579	755	-	854	10	-	-	-	-		
711566	608	512	512	13	63	84	649	27	569	580	36	503	517	-	552	736	590	558	10	-	-	-	-		
711567	610	525	512	13	63	84	649	27	569	576	37	517	518	579	575	736	585	562	10	-	-	-	505		
711568	611	74	513	13	73	99	649	27	568	578	38	518	519	-	580	748	-	566	10	-	-	-	-		
711569	608	504	512	15	63	84	649	27	569	-	25	519	49	575	573	737	573	558	10	-	-	-	-		
711570	608	529	512	13	513	89	649	27	568	580	25	503	50	-	569	746	598	558	10	-	-	-	-		
711571	608	526	512	13	63	84	649	27	569	576	507	503	518	575	575	736	574	558	10	-	-	-	-		
711572	608	504	512	15	63	84	81	27	569	-	25	519	518	575	573	737	573	558	10	-	-	-	-		
711574	608	526	512	13	63	84	649	27	569	576	25	521	518	575	575	736	585	562	10	-	-	-	505		
711575	55	527	509	13	512	91	77	27	568	580	7	521	51	-	57	95	-	558	10	-	-	-	-		
711576	55	527	509	13	74	91	77	27	568	580	-	521	51	-	57	95	-	558	10	-	-	-	-		
711577	598	504	512	15	63	84	69	27	569	-	25	519	503	584	553	737	581	558	10	-	-	-	-		
711579	598	530	512	15	63	84	69	27	569	-	25	522	503	584	573	737	581	558	10	506	-	-	-		
711580	600	511	512	13	76	84	652	27	569	580	36	503	505	-	565	750	-	561	10	-	-	-	-		
711581	598	504	512	15	63	87	69	27	569	-	25	519	503	584	573	737	573	558	10	-	-	-	-		
711582	598	531	512	15	77	84	649	27	569	-	25	519	503	588	573	737	573	558	10	-	-	-	-		
711583	598	503	512	13	77	84	649	27	569	576	25	503	503	575	575	736	574	558	10	-	-	-	-		
711585	598	504	512	15	63	87	69	27	569	-	25	519	503	575	553	737	581	558	10	-	-	-	-		
711586	598	503	512	13	63	84	69	27	569	576	25	503	503	575	575	736	574	558	10	-	-	-	-		
711587	598	504	512	15	63	84	649	27	569	-	25	88	503	575	573	97	573	558	10	-	-	-	-		

M16

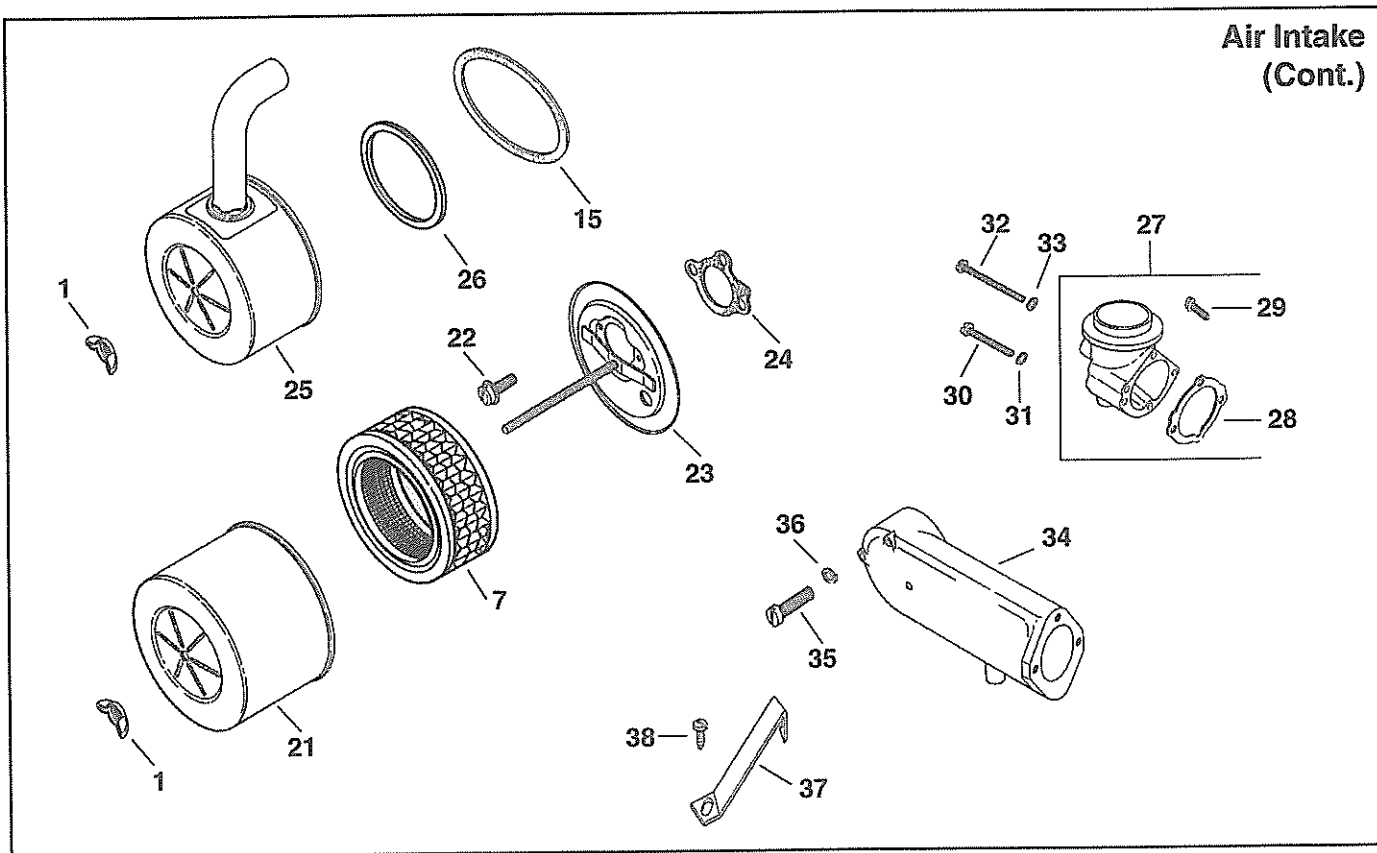
Group 1 Air Intake



Index Number	Description Variation Number	Part Number	Index Number	Description Variation Number	Part Number
1	Wing Nut 1/4-20 4,53,55,503,576,584,589,595,598, 599,600,602,603,606,608,609,610, 611	X-276-7	6	Element, precleaner 4,53,55,503,556,576,584,589,595, 598,600,602,603,606,608,609,610	45 083 01
1	Wing Nut 1/4-20 (Use before Serial No. 2030600013)	X-276-7	7	Element, air cleaner 4,53,55,503,556,576,584,589,595, 598,600,602,603,606,608,609,610	45 083 02
2	Nut, acorn (Use after Serial No. 2030600003)	45 100 02	8	Seal 55	52 032 04
3	Cover, air cleaner 503,556,576,584,598,603,608	47 096 12	8	Seal 53,503,556,576,584,589,595,598, 600,602,603,606,608,609,610	231032
3	Cover, air cleaner 602	47 096 10	9	Screw, hex. cap 10-32x9/16" (3) 503,556,576,584,589,595,598,600, 602,603,606,608,609,610	X-67-65
3	Cover, air cleaner 606,610	47 096 14	10	Base, air cleaner 503,576,584,589,595,598,600,602, 603,606,608,609,610	47 094 20
4	Nut, jam 1/4-20 55,503,556,576,584,589,595,598, 600,602,603,606,608,609,610	41 100 04	10	Base, air cleaner 556 Before Serial No. 2030600013 use: After Serial No. 2030600003 use:	47 094 20 45 094 04
5	Cover, air cleaner element 53,55,503,556,576,584,589,595, 598,600,602,603,606,608,609,610	52 082 04			

M16

Index Number	Description Variation Number	Part Number	Index Number	Description Variation Number	Part Number
11	Gasket, air cleaner (Use after Serial No. 1807500003) 503,602,606	45 041 07	14	Element, air cleaner 599,611	47 083 01
11	Gasket, air cleaner 556,589,595,600,601,608,609,610, 611	45 041 07	15	Gasket, plastic ring 595	47 041 11
11	Gasket, air cleaner (Use after Serial No. 1812400003) 598,603	45 041 07	16	Screw, hex. cap 10-32x5/16" (3) 599,611	47 086 19
11	Gasket, air cleaner 599	47 041 05	17	Washer, plain 3/16" (3) (Use before Serial No. 1630800013) 611	25 468 02
11	Gasket, air cleaner Before Serial No. 1704400013 use: After Serial No. 1704400003 use:	47 041 05 45 041 07	18	Base, air cleaner 599,611	47 094 11
12	Cover, air cleaner 599,611	47 082 01	19	Tube, air cleaner 599,611	47 134 02
13	Seal 599,611	47 032 03	20	Spacer 599,611	47 112 20



Index Number	Description Variation Number	Part Number	Index Number	Description Variation Number	Part Number
21	Cover, air cleaner 4,53,589,600,609	45 082 01	25	Cover, air cleaner 55	52 096 26
22	Screw, fillister hd. 10-32x5/16" (3) 4,53,55	X-167-2	25	Cover, air cleaner 595	52 254 12
23	Base, air cleaner 4,53	45 094 01	26	Seal, air cleaner 55	237423
23	Base, air cleaner 55	47 094 02	26	Seal, air cleaner 595	45 032 02
24	Gasket, air horn 4,53,55	275341			

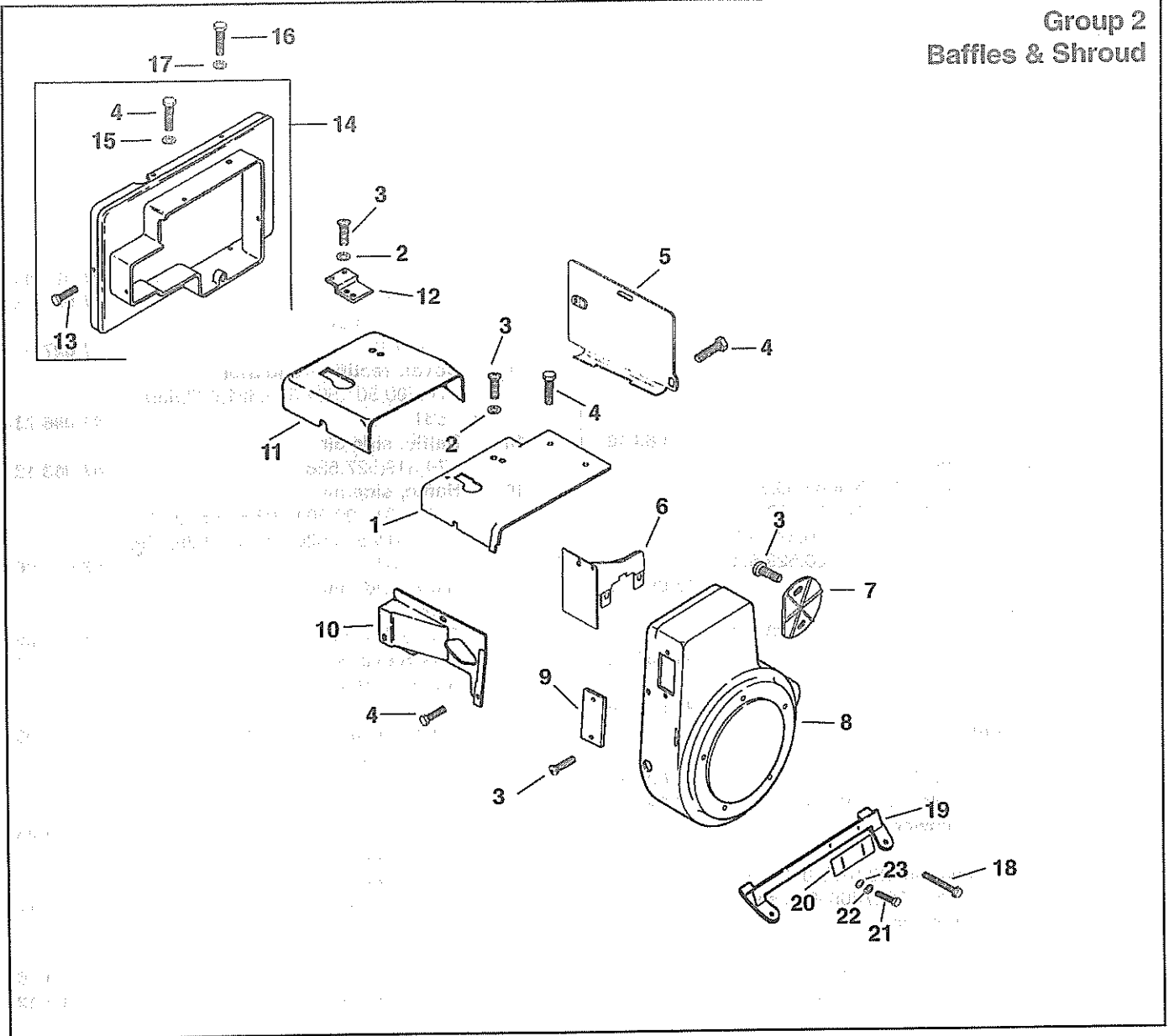
**Air Intake
(Cont.)**

M16

Index Number	Description Variation Number	Part Number	Index Number	Description Variation Number	Part Number
27	Kit, elbow (Includes 28,29) 601,605	48 754 03	33	Washer, plain 3/16" 601,605	X-25-79
28	Gasket, air cleaner elbow 601,605	25 041 06	34	Elbow 53	236969
29	Screw, flange hex. cap 1/4-20x5/8" (2) 601,605	52 086 11	35	Screw, pan hd. 10-32x1-3/4" (3) 53	X-50-61
30	Screw, pan hd. 10-32x1-1/2" (2) 601,605	X-50-57	36	Washer, lock #10 (3) 53	X-22-9
31	Washer, lock #10 (2) 601,605	X-22-9	37	Bracket 53	45 126 20
32	Screw, pan hd. 10-32x2-1/4" 601,605	X-50-37	38	Screw, flange hex. cap 1/4-20x5/8" 53	52 086 11

NOTE: For decals, see Accessories Catalog E-1953-A.

Group 2
Baffles & Shroud



Index Number	Description Variation Number	Part Number	Index Number	Description Variation Number	Part Number
1	Baffle, head 500,501,502,503,504,505,506,508, 509,516,517,518,519,520,521,522, 524,525,526,530,531	45 063 07	3	Screw, truss hd. 1/4-20x5/8" (3) (Use after Serial No. 2121800003) 500,504	47 086 08
2	Washer, plain 1/4" 74,500,501,502,503,504,505,506, 507,508,509,510,511,512,513,514, 515,516,517,518,519,520,521,522, 523,524,525,526,527,528,529,530, 531	X-25-53	3	Screw, truss hd. 1/4-20x5/8" (5) (Use before Serial No. 2027800013) 501	47 086 08
3	Screw, flange hex. cap 1/4-20x7/16" (2) (Use after Serial No. 2121800003) 74,500,504,508	X-67-83	3	Screw, truss hd. 1/4-20x5/8" (3) (Use after Serial No. 2027800003) 501,521	47 086 08
3	Screw, truss hd. 1/4-20x5/8" (5) (Use before Serial No. 2121800013) 500,504,519,521,522	47 086 08	3	Screw, flange hex. cap 1/4-20x7/16" (2) (Use after Serial No. 2027800003) 501,521	X-67-83
			3	Screw, truss hd. 1/4-20x5/8" 502,503,505,506,507,508,509,510, 511,512,515,516,517,518,520,523, 524,525,526,527,528,529	47 086 08

**Baffles & Shroud
(Cont.)**

M16

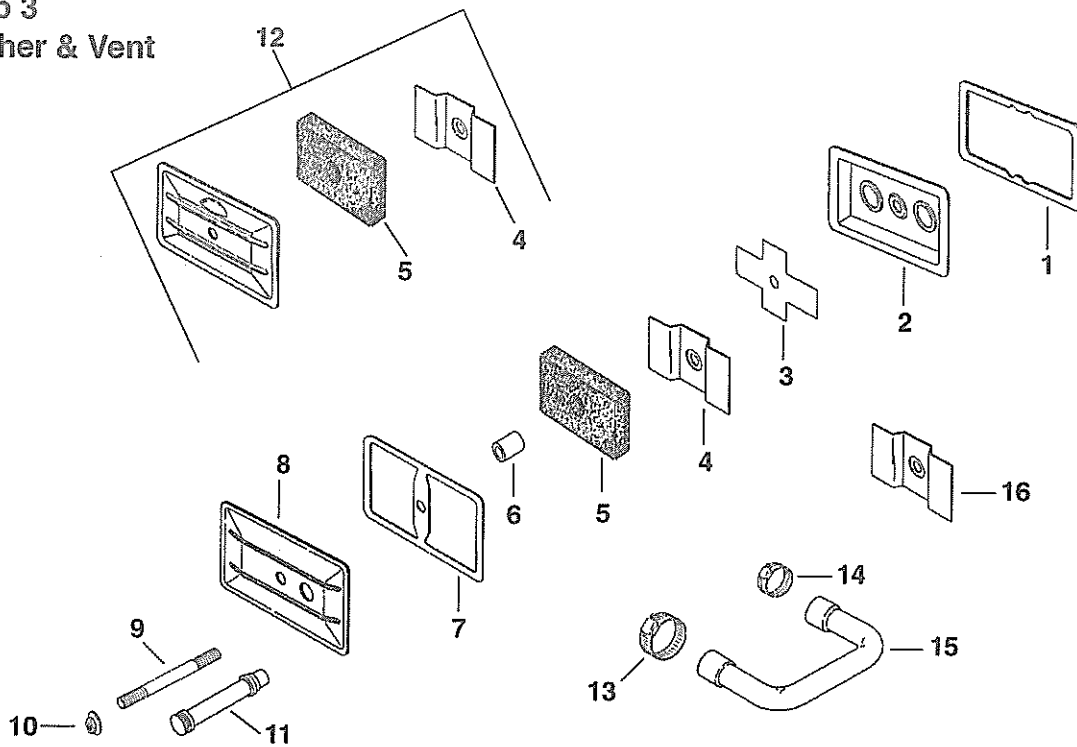
Index Number	Description Variation Number	Part Number	Index Number	Description Variation Number	Part Number
3	Screw, truss hd. 1/4-20x5/8" (3) 530,531	47 086 08	8	Housing, blower 521	
3	Screw, flange hex. cap 1/4-20x7/16" (2) 530,531	X-67-83		Before Serial No. 2027800013 and after Serial No. 2125300003 use:	47 027 44
4	Screw, flange hex. cap 1/4-20x5/8" (6) 74,500,501,502,503,504,505,506, 507,508,509,510,511,512,513,514, 515,516,517,518,519,520,521,522, 523,524,525,526,527,528,529,530, 531	52 086 11		After Serial No. 2027800003, but before Serial No. 2125300013 use:	47 027 47
5	Baffle, cylinder barrel 74,500,501,502,503,504,505,506, 507,508,509,510,511,512,513,514, 515,516,517,518,519,520,521,522, 523,524,525,526,527,528,529,530, 531	47 063 10	8	Housing, blower 523	47 027 44
6	Baffle, inner 74,500,501,502,503,504,505,506, 507,508,509,510,511,512,513,514, 515,516,517,518,519,520,521,522, 523,524,525,526,527,528,529,530, 531	47 063 07		Before Serial No. 1926300013 use:	47 027 44
7	Cover, starter 500,501,504,519,521,522,523,530, 531	41 096 25		After Serial No. 1926300003 use:	47 027 42
8	Housing, blower 74,510	47 027 40	8	Housing, blower 526,530	47 027 47
8	Housing, blower 500		9	Cover, rectifier-regulator 74,500,501,504,519,521,522,530, 531	41 096 23
	Before Serial No. 1707100013 use:	47 027 44	10	Baffle, side air 74,519,527,528	47 063 12
	After Serial No. 1707100003 use:	47 027 37	10	Baffle, side air 500,501,502,504,506,508,510,511, 512,514,518,520,521,522,526,529, 530,531	47 063 06
8	Housing, blower 501,503		10	Baffle, side air 505	
	Before Serial No. 2027800013 use:	47 027 44		Before Serial No. 1619000013 use:	47 063 06
	After Serial No. 2027800003 use:	47 027 47		After Serial No. 1619000003 use:	47 063 11
8	Housing, blower 502		10	Baffle, side air 507	
	Before Serial No. 1908000013 use:	47 027 37		Before Serial No. 1634400013 use:	47 063 06
	After Serial No. 1908000003, but before Serial No. 2027800013 use:	47 027 44		After Serial No. 1634400003 use:	47 063 11
	After Serial No. 2027800003 use:	47 027 47	10	Baffle, side air 509	
8	Housing, blower 504,505,508,512,518,524,531	47 027 37		Before Serial No. 1711100013 use:	47 063 06
8	Housing, blower 506,507,509,511,514,515,517,527, 528,529	47 027 42		After Serial No. 1711100003 use:	47 063 11
8	Housing, blower 513,519,522,525	47 027 44	10	Baffle, side air 513,515,517,524,525	47 063 11
8	Housing, blower 516		10	Baffle, side air 516	
	Before Serial No. 1717000013 use:	47 027 44		Before Serial No. 1717000013 use:	47 063 06
	After Serial No. 1717000003 use:	47 027 51		After Serial No. 1717000003 use:	47 063 12
8	Housing, blower 520		10	Baffle, side air 523	
	Before Serial No. 2027800013 and after Serial No. 2108000003	47 027 44		Before Serial No. 1926300013 use:	47 063 06
	After Serial No. 2027800003, but before Serial No. 2108000013 use:	47 027 47		After Serial No. 1926300003 use:	47 063 12
			11	Baffle, head 74,507,510,511,512,513,514,515, 527,529	45 063 08
			12	Bracket, air duct 514	47 126 23
			13	Screw, sems hex. cap 10-32x7/16" (3) 514	X-67-64
			14	Kit, air duct (Includes 4 qty. 2,13,15) 514	47 755 33
			15	Washer, plain #10 (Replaced by X-25-92) 514	X-25-36

M16

Index Number	Description Variation Number	Part Number	Index Number	Description Variation Number	Part Number
16	Screw, sems hex. cap 5/16-18x1-1/4" 514	X-154-4	21	Screw, sems hex. cap 8-32x3/8" (4) 513	X-67-59
17	Washer, plain 3/4" 514	X-25-20	22	Washer, lock #8 (4) 513	X-22-7
18	Screw, flange hex. cap 10-24x1/4" (2) 513	41 086 06	23	Washer, plain 3/16" (4) 513	25 468 02
19	Deflector, grass 513	47 265 01	NOTE: For decals, see Accessories Catalog E-1953-A.		
20	Blade, adjusting (2) 513	47 040 02			

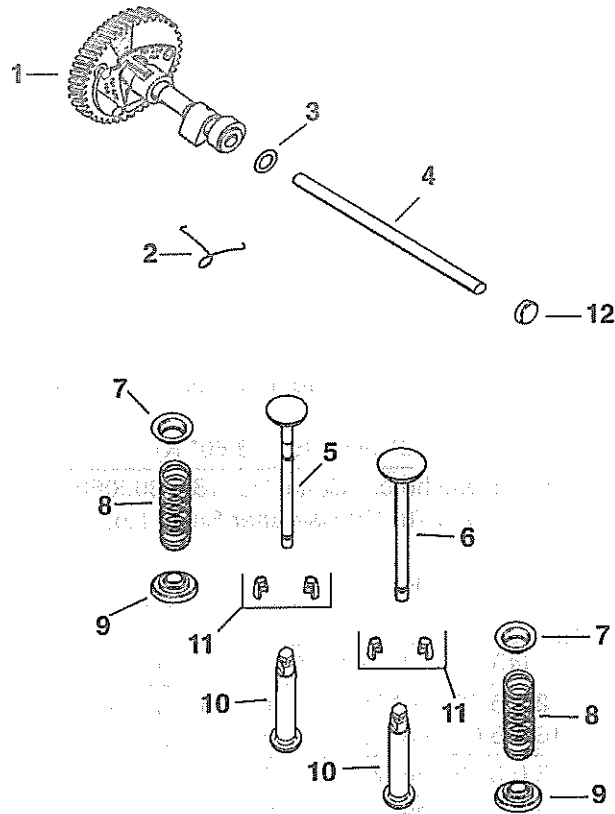
M16

Group 3 Breather & Vent



Index Number	Description Variation Number	Part Number	Index Number	Description Variation Number	Part Number
1	Gasket, valve cover 501,509,512,513	235048	9	Stud, valve cover 509,512,513	275220
2	Plate, breather 501,509,512,513	235631	10	Nut, 1/4-20 509,512,513	X-799-1
3	Reed, breather 501,509,512,513	235047	11	Hose, breather 512	47 326 03
4	Baffle, breather 501,509	235117	11	Hose, breather 513	47 326 04
5	Filter, breather 501,509	235118	12	Kit, valve cover (Includes 4,5) 501	A-235418-S
5	Filter, breather 512,513	47 050 01	13	Clamp, hose 509	X-426-3
6	Seal, breather 501,509,512,513	231032	14	Clamp, hose 509	X-426-9
7	Gasket, valve cover 501,509,512,513	275144	15	Hose, breather 509	47 326 02
8	Cover, valve 509	275839	16	Stop, breather reed 512,513	270146
8	Cover, valve 512,513	47 096 01			

Group 4
Camshaft & Valves



Index Number	Description Variation Number	Part Number	Index Number	Description Variation Number	Part Number
1	Camshaft assembly (Includes 2) 13	47 010 11	3	Spacer, camshaft .005 13,15,586,587,588	275066
1	Camshaft assembly (Includes 2) 15	45 010 06	3	Spacer, camshaft .010 13,15,586,587,588	275067
1	Camshaft assembly (Includes 2) 586 Before Serial No. 1614800013 use: After Serial No. 1614800003 use:	47 010 11 45 010 06	4	Pin, camshaft 13,15,586,587,588	47 380 09
1	Camshaft assembly (Includes 2) 587 Before Serial No. 1700500013 use: After Serial No. 1700500003 use:	47 010 11 45 010 06	5	Valve, exhaust (Stellite) 13,15,586,587,588	237672
1	Camshaft assembly (Includes 2) 588 Before Serial No. 1826800013 use: After Serial No. 1826800003 use:	47 010 11 45 010 06	6	Valve, intake (Stellite) 13,15,586,587,588	235582
2	Spring, actuating 13,15,586,587,588	47 089 01	7	Retainer, upper spring (2) 13,15,586,587,588	235011
			8	Spring, valve (2) 13,15,586,587,588	235168
			9	Rotator (2) 13,15,586,587,588	52 413 01
			10	Tappet (2) 13,15,586,587,588	D-235327
			11	Kit, retainer (2) 13,15,586,587,588	41 755 10
			12	Plug, cup 13,15,586,587,588	X-702-3

**Group 5
Carburetor**

M16

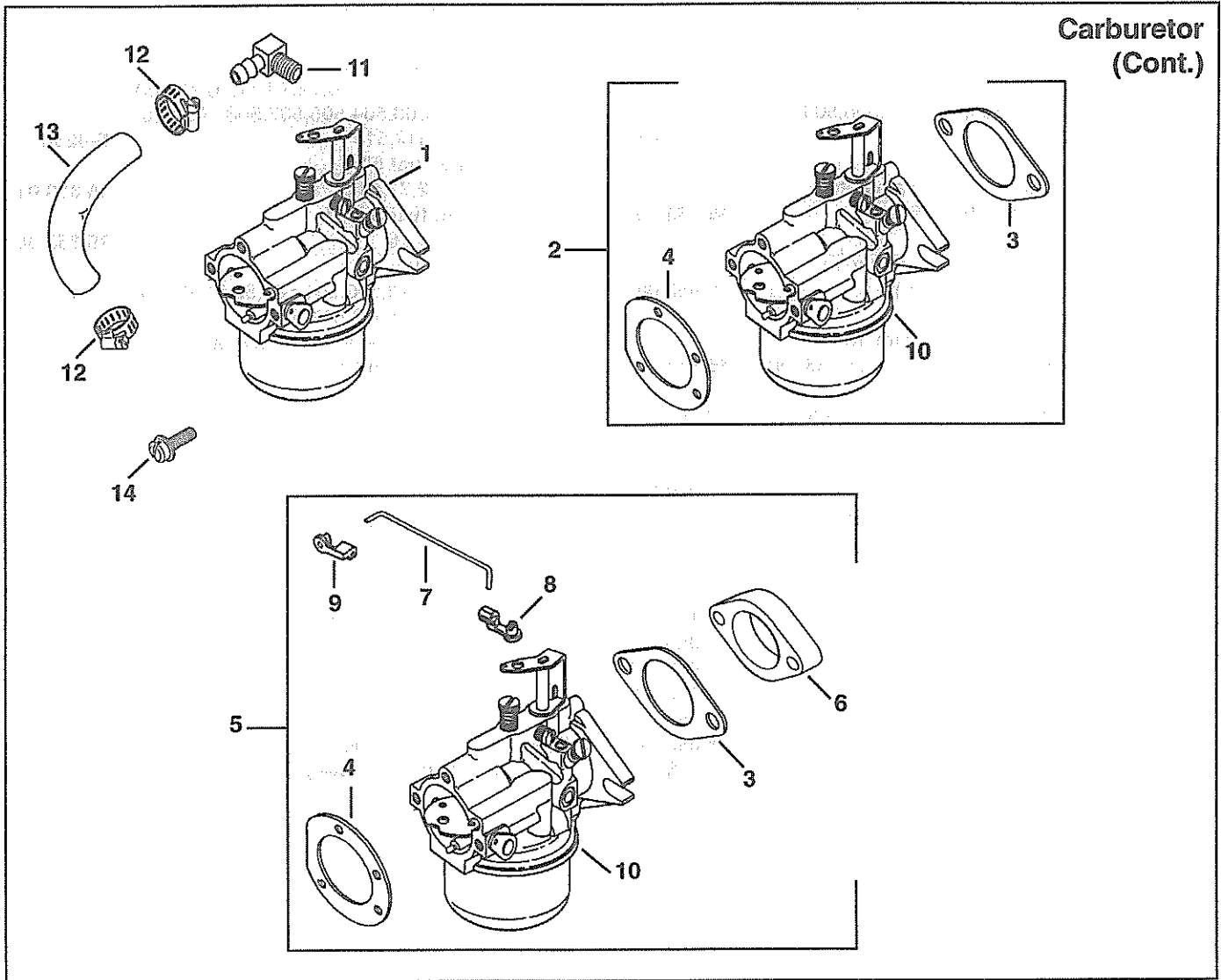
The chart below lists carburetors/kits, supersessions and/or serial breaks. Locate your variation in the chart below to find the appropriate carburetor kit and/or assembly. To ensure that the correct carburetor kit or individual carburetor components are ordered, locate your part number stamped on the carburetor mounting flange. Refer to Section 3 of Carburetor Reference Manual TP-2377-D, located in Miscellaneous Special Service Parts Information section of your Master Manual, for the breakdown of carburetor assemblies listed below. Walbro carburetors are denoted with (W), Kohler carburetors with (K).

Variations	Carburetor/Carburetor Kit (Carburetor assembly used in Kit*)
55	45 853 04 (45 053 74* W) - or use - 45 853 11 (45 053 82* W or 45 053 86* K)
57,504,508	45 053 70 (K) Use before Serial No. 1802100013 45 853 05 (45 053 75* W) Use after Serial No. 1802100003 - or use - 45 853 12 (45 053 83* W or 45 053 88* K)
60	45 053 76 (K) Use before Serial No. 1808809063 45 853 07 (45 053 78* W) Use after Serial No. 1808809053 - or use - 45 853 13 (45 053 84* W)
62	45 053 76 (K)
63	45 853 11 (45 053 82* W or 45 053 86* K)
66	45 853 12 (45 053 83* W or 45 053 88* K) Use before Serial No. 2320300014 45 853 15 (45 053 88* K or 45 053 89* K) Use after Serial No. 2320300004
72	45 853 15 (45 053 88* K or 45 053 89* K)
73,511	45 853 12 (45 053 83* W or 45 053 88* K)
74	45 853 13 (45 053 84* W)
76	45 853 08 (45 053 79* W)
77	45 053 86 (K)
500,501	45 053 68 (K) Use before Serial No. 1812408663 45 853 04 (45 053 74* W) Use after Serial No. 1812408653 - or use - 45 853 11 (45 053 82* W or 45 053 86* K)
503,506,510	45 053 70 (K) Use before Serial No. 1802100013 45 853 15 (45 053 75* W or 45 053 83* W or 45 053 88* K or 45 053 89* K) Use after Serial No. 1802100003
505	45 053 76 (K) Use before Serial No. 1808809063 and after Serial No. 1810300003 45 853 07 (45 053 78* W) Use after Serial No. 1808809053, but before Serial No. 1810300013 - or use - 45 853 13 (45 053 84* W)
507	45 053 70 (K) Use before Serial No. 1802100013 45 853 05 (45 053 75* W) Use after Serial No. 1802100003, but before Serial No. 2134400013 - or use - 45 853 12 (45 053 83* W or 45 053 88* K) 45 853 16 (45 053 90* W) Use after Serial No. 2134400003
509	45 053 76 (K) Use before Serial No. 2127600013 45 853 13 (45 053 84* W) Use after Serial No. 2127600003

*NOTE: Carburetor assembly is for information only, not available separately.

Variations	Carburetor/Carburetor Kit (Carburetor assembly used in Kit*)
512	45 853 13 (45 053 84* W) Use before Serial No. 2229500013 45 053 76 (K) Use after Serial No. 2229500003
513	45 853 15 (45 053 88* K or 45 053 89* K) Use before Serial No. 2126600013 and after Serial No. 2315200003 45 853 12 (45 053 83* W) Use after Serial No. 2126600003, but before Serial No. 2315200013

*NOTE: Carburetor assembly is for information only, not available separately.

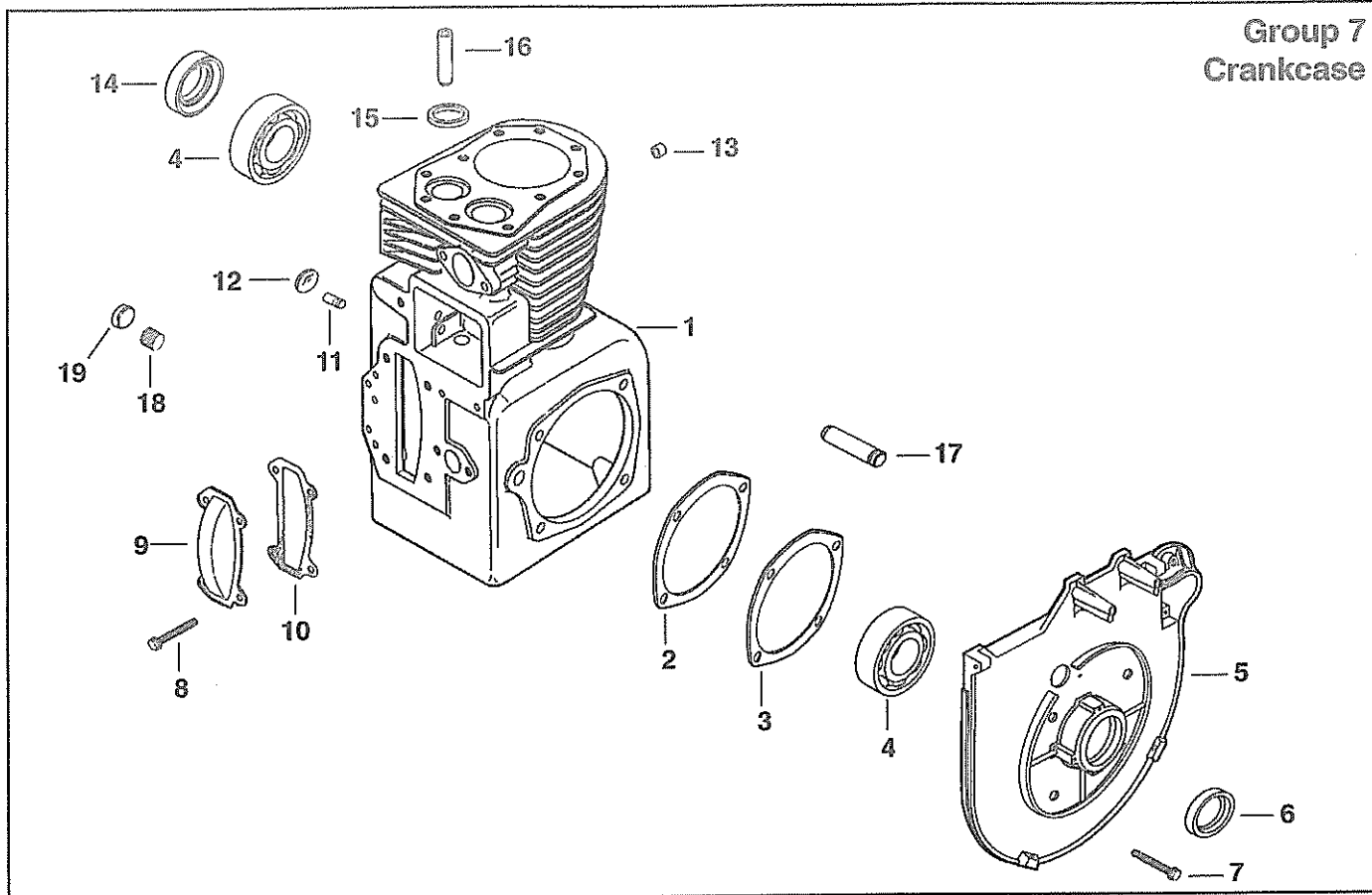


Index Number	Description Variation Number	Part Number	Index Number	Description Variation Number	Part Number
1	Carburetor assembly	45 053 68	2	Kit, carburetor	
1	Carburetor assembly	45 053 70		(Includes 3,4,10, carburetor assembly 45 053 82* or 45 053 86*)	45 853 11
1	Carburetor assembly	45 053 76	2	Kit, carburetor	
1	Carburetor assembly	45 053 86		(Includes 3,4,10, carburetor assembly 45 053 84*)	45 853 13
2	Kit, carburetor (Includes 3,4,10, carburetor assembly 45 053 74*)	45 853 04	*NOTE: Carburetor assembly is for information only, not available separately.		
2	Kit, carburetor (Includes 3,4,10, carburetor assembly 45 053 78*)	45 853 07			

**Carburetor
(Cont.)**

M16

Index Number	Description Variation Number	Part Number	Index Number	Description Variation Number	Part Number
2	Kit, carburetor (Includes 3,4,10, carburetor assembly 45 053 88* or 45 053 89*)	45 853 15	10	Carburetor assembly	45 053 86*
2	Kit, carburetor (Includes 3,4,10, carburetor assembly 45 053 90*)	45 853 16	10	Carburetor assembly	45 053 88*
3	Gasket, carburetor 55,57,60,62,63,66,72,73,74,76,77, 500,501,503,504,505,506,507,508, 509,510,511,512	47 049 01	10	Carburetor assembly	45 053 89*
4	Gasket, air cleaner 55,57,60,63,66,73,74,76,500,501, 503,504,505,506,507,508,509,511, 512	45 041 07	10	Carburetor assembly	45 053 90*
5	Kit, carburetor (Includes 3,4,6-10, carburetor assembly 45 053 75*)	45 853 05	11	Connector, hose - 90° 1/4" 55,57,62,63,66,72,73,74,76,77,500, 501,503,504,505,506,507,508,509, 510,511,512	25 155 02
5	Kit, carburetor (Includes 3,4,6-10, carburetor assembly 45 053 79*)	45 853 08	11	Connector, hose - 90° 1/4" 60	45 155 01
5	Kit, carburetor (Includes 3,4,6-10, carburetor assembly 45 053 83* or 45 053 88*)	45 853 12	12	Clamp, hose (2) 55,57,62,63,66,72,73,74,76,77,500, 501,503,504,505,507,508,509,510, 511,512,513	X-426-9
6	Gasket, carburetor 57,66,73,76,503,506,507,508,511	271030	13	Line, fuel 5" 62,72,77,511	25 353 01
7	Linkage, carburetor (Replaced by 47 079 10) 55,66,73,76,503,506,507,508,511	47 079 05	13	Line, fuel 5-1/2" 55,74,76	25 353 08
8	Bushing, linkage - natural 57,66,73,76,503,506,507,508,511	47 158 07	13	Line, fuel 57,63,73,500,501,503,504,505,507, 508,509,510,512,513 (Order according to length of hose used on engine)	25 353 08
9	Bushing, linkage - black (Replaced by 25 158 11) 57,66,73,76,503,506,507,508,511	25 158 09	13	Line, fuel 508 (Order according to length of hose used on engine)	25 353 01
10	Carburetor assembly	45 053 74*	13	Line, fuel 5" fuel line	25 353 08
10	Carburetor assembly	45 053 75*	13	Line, fuel 5-1/2" fuel line	25 353 01
10	Carburetor assembly	45 053 78*	13	Line, fuel 6-1/4" fuel line	25 353 04
10	Carburetor assembly	45 053 79*	14	Screw, sems hex. cap 5/16-18x1" (2) 55,57,60,62,63,66,72,73,74,76,77, 500,501,503,504,505,506,507,508, 509,510,511,512	X-770-1
10	Carburetor assembly	45 053 82*	*NOTE: Carburetor assembly is for information only, not available separately.		
10	Carburetor assembly	45 053 83*			
10	Carburetor assembly	45 053 84*			

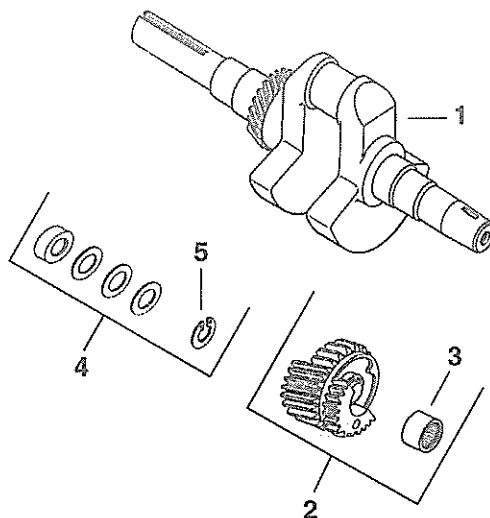
Group 7
Crankcase

Index Number	Description Variation Number	Part Number	Index Number	Description Variation Number	Part Number
1	Cylinder Block (Service with either a Short Block or Miniblock. Refer to M16 Selection Guide TP-2252-D.)		8	Screw, sems hex. cap 1/4-20x1/2" (4) 89,91,92,93,94,96,97,98,100,101,102	X-132-6
2	Gasket 84,86,87,89,91,92,93,94,96,97,98,99,100,101,102,103	47 422 05	8	Screw, sems hex. cap 1/4-20x1/2" (4) (Use after Serial No. 1630200003) 99	X-132-6
3	Gasket, bearing plate 84,86,87,89,91,92,93,94,96,97,98,99,100,101,102,103	47 041 09	9	Cover, camshaft 84,86,87,89,91,92,93,94,96,97,98,99,100,101,102,103	235026
4	Bearing, ball (2) 84,86,87,89,91,92,93,94,96,97,98,99,100,101,102,103	235376	10	Gasket, camshaft cover 84,86,87,89,91,92,93,94,96,97,98,99,100,101,102,103	235025
5	Plate, bearing 84,86,87,89,91,92,93,94,96,97,98,99,100,101,102,103	47 146 11	11	Shaft, governor 84,86,87,89,91,92,93,94,96,97,98,99,100,101,102,103	235125-S
6	Seal, front oil 84,86,87,89,91,92,93,94,96,97,98,99,100,101,102,103	47 032 06	12	Plug, expansion 84,86,87,89,91,92,93,94,96,97,98,99,100,101,102,103	X-230-11
7	Screw, sems hex. cap 3/8-16x1" (4) 84,86,87,89,91,92,93,94,96,97,98,99,100,101,102,103	X-159-2	13	Bearing 84,86,87,89,91,92,93,94,96,97,98,99,100,101,102,103	234866
8	Screw, sems hex. cap 1/4-20x5/8" (4) 84,86,87,103	X-132-5	14	Seal, rear oil 84,86,87,89,91,92,93,94,96,97,98,99,100,101,102,103	47 032 07
8	Screw, sems hex. cap 1/4-20x5/8" (4) (Use before Serial No. 1630200013) 99	X-132-5	15	Insert, intake and exhaust valve (2) 84,86,87,89,91,92,93,94,96,97,98,99,100,101,102,103	230265

**Crankcase
(Cont.)**

M16

Index Number	Description Variation Number	Part Number	Index Number	Description Variation Number	Part Number
16	Guide, valve (2) 84,86,87,89,91,92,93,94,96,97,98, 99,100,101,102,103	235007-S	17	Shaft, stub (3) 101,102	236559
17	Shaft, stub (2) 84,86,87,89,91,92,93,94,96,97,98, 99,100,103	236559	18	Plug, pipe 94,96,97,98	47 139 01
			19	Plug, cup 94,96	X-702-14

Group 8
Crankshaft

Index Number	Description Variation Number	Part Number	Index Number	Description Variation Number	Part Number
1	Kit, crankshaft (1-1/2" dia. x 1-25/32" lg.) (Includes flywheel hardware) 45,78	45 142 19*	1	Crankshaft (1" dia. x 1-7/16" lg.) (Use after Serial No. 1634300003) 650	45 014 83
1	Kit, crankshaft (1" dia. x 5-7/8" lg., 5/16-24 tapped) (Includes flywheel hardware) 57	45 142 34*	1	Kit, crankshaft (1" dia. x 3-9/16" lg.) (Includes flywheel hardware) 652	45 142 22*
1	Kit, crankshaft (1-11/64" dia. step – 1" dia. step x 4-17/64" lg.) (Includes flywheel hardware) 63	45 142 35*	1	Kit, crankshaft (1" dia. x 2-1/8" lg.) (Includes flywheel hardware) 653	45 142 37*
1	Kit, crankshaft (1" dia. x 4-5/64" lg. threaded end) (Includes flywheel hardware) 69	45 142 20*	1	Crankshaft (1" dia. x 4-5/64" lg., threaded) 76	45 014 84
1	Kit, crankshaft (1-3/8" dia. x 4-7/32" lg.) (Includes flywheel hardware) 71	45 142 39*	1	Crankshaft (1-7/16" dia. x 3-25/32" lg.) 77	45 014 85
1	Kit, crankshaft (1-1/8" dia. step – 7/8" dia. step – 3/4" dia. step – 3-3/16" lg.) (Includes flywheel hardware) 72	45 142 29*	1	Crankshaft (1" dia. x 2-5/8" lg., 1/2-20 tapped) 79,80	45 014 86
1	Kit, crankshaft (1" dia. x 1-7/16" lg.) (Includes flywheel hardware) 73	45 142 36*	1	Crankshaft (1" dia. x 3" lg.) 81	45 014 89
1	Kit, crankshaft (1-1/8" dia. x 3-25/32" lg.) (Includes flywheel hardware) 649	45 142 21*	2	Gear assembly (2) (Includes 3) 45,57,63,69,71,72,73,76,77,80,81, 649,650,652,653	45 043 03
1	Kit, crankshaft (1" dia. x 1-7/16" lg.) (Includes flywheel hardware) (Use before Serial No. 1634300013) 650	45 142 36*	2	Gear assembly (3) (Includes 3) 78,79	45 043 03
			3	Bearing, needle (2) 45,57,63,69,71,72,73,76,77,80,81, 649,650,652,653	47 030 01
			3	Bearing, needle (3) 78,79	47 030 01
			4	Kit, spacer (Includes 5) 45,57,63,69,71,72,73,76,77,78,79, 80,81,649,650,652,653	47 755 01

**Crankshaft
(Cont.)**

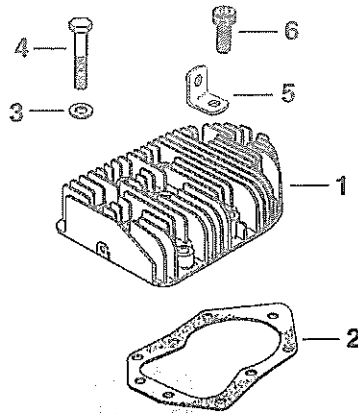
M16

Index Number	Description Variation Number	Part Number	Index Number	Description Variation Number	Part Number
5	Retainer (2) 45,57,63,69,71,72,73,76,77,78,79, 80,81,649,650,652,653	X-269-34			

*NOTE: Crankshaft contains internal fastening threads. Kits include flywheel fastening hardware (a woodruff key, washer, screw, and drive cup bushing). See Flywheel Group 13 for part numbers. Crankshaft dimensions listed are for PTO end outside the cylinder block.

M16

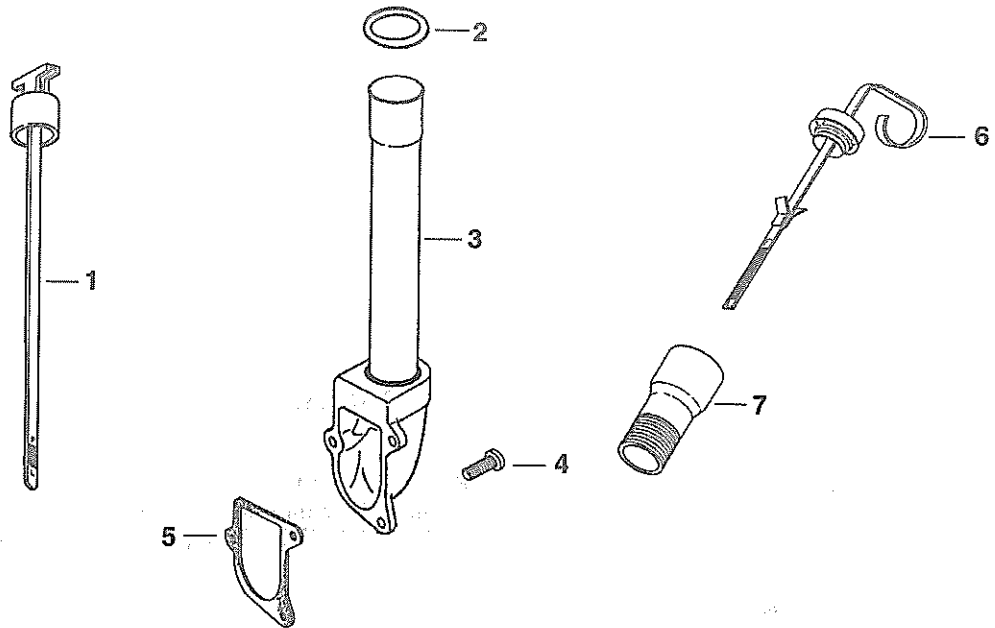
Group 9
Cylinder Head



Index Number	Description Variation Number	Part Number	Index Number	Description Variation Number	Part Number
1	Head, cylinder 27	45 015 09	4	Screw, hex. cap 3/8-16x1-1/2" (8) 27	270158
1	Head, cylinder 31	45 015 06	4	Screw, hex. cap 3/8-16x1-3/4" 27,31	270721
2	Gasket, cylinder head 27,31	45 041 17	4	Screw, hex. cap 3/8-16x1-1/2" (7) 31	270158
3	Washer, plain 3/8" (10) 27	270889	4	Screw, hex. cap 3/8-16x2" 31	X-129-14
3	Washer, plain 3/8" (9) 31	270889	5	Strap, lifting 27,31	47 445 02
3	Washer, plain 3/8" 31	47 468 07	6	Screw, hex. cap 3/8-16x1" 27,31	47 086 17

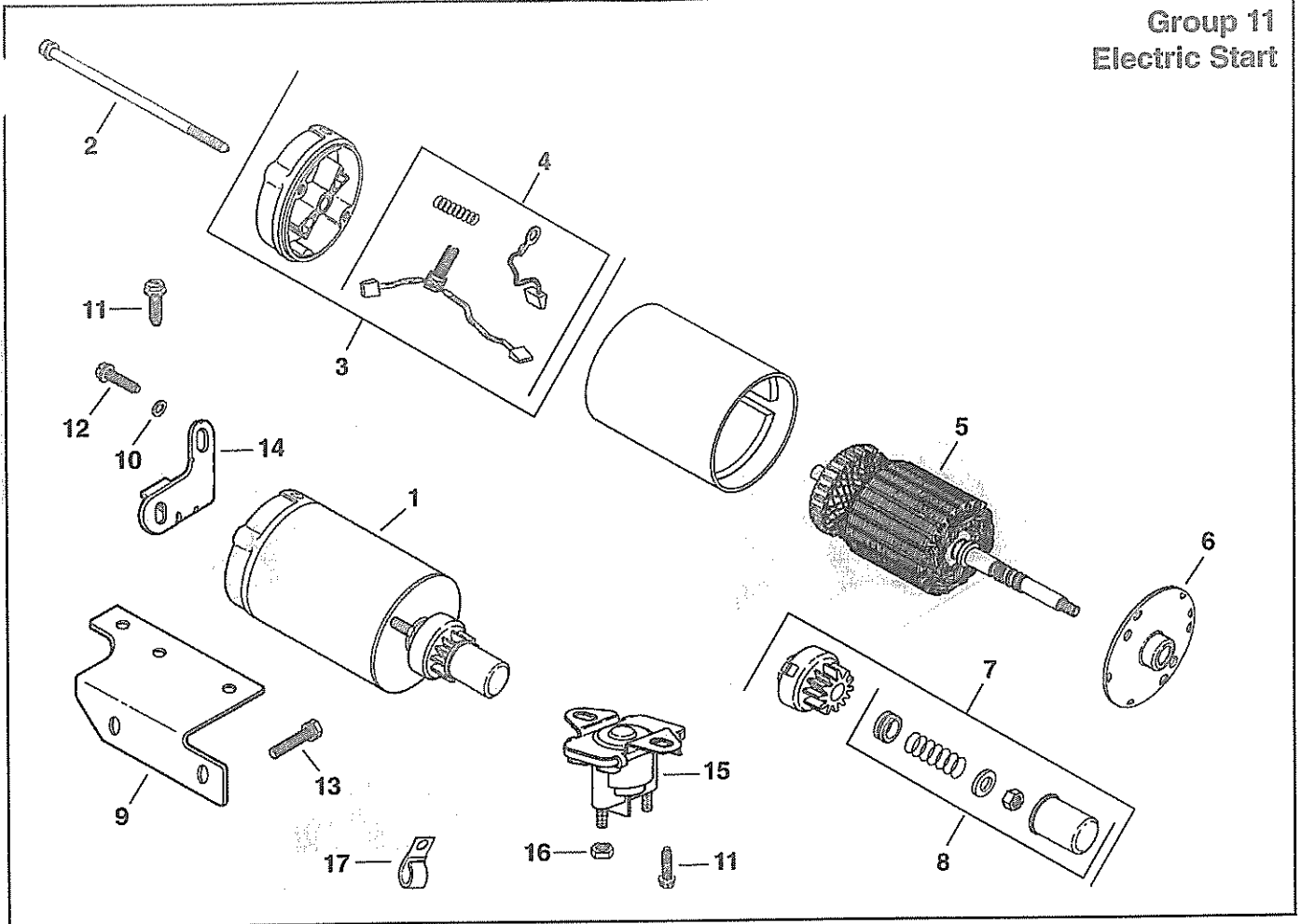
M16

Group 10 Dipstick



Index Number	Description Variation Number	Part Number	Index Number	Description Variation Number	Part Number
1	Dipstick 13-7/8" blade 35	47 272 03	4	Screw, sems fillister hd. 10-24x1/2" (3) 35,565,568,569	X-131-2
1	Dipstick 15-5/8" blade 568	47 038 26	5	Gasket, oil fill tube 35,565,568,569	237064
1	Dipstick 15-3/8" blade 569	47 038 27	6	Dipstick 4-3/4" blade 528	237013
2	O-Ring 568,569	41 153 01	6	Dipstick 13-1/64" blade 565	45 272 04
3	Tube, oil fill 35	47 123 14	7	Tube, oil fill 528	47 123 08
3	Tube, oil fill 568,569	47 029 06	7	Tube, oil fill 565	47 180 05

Group 11
Electric Start



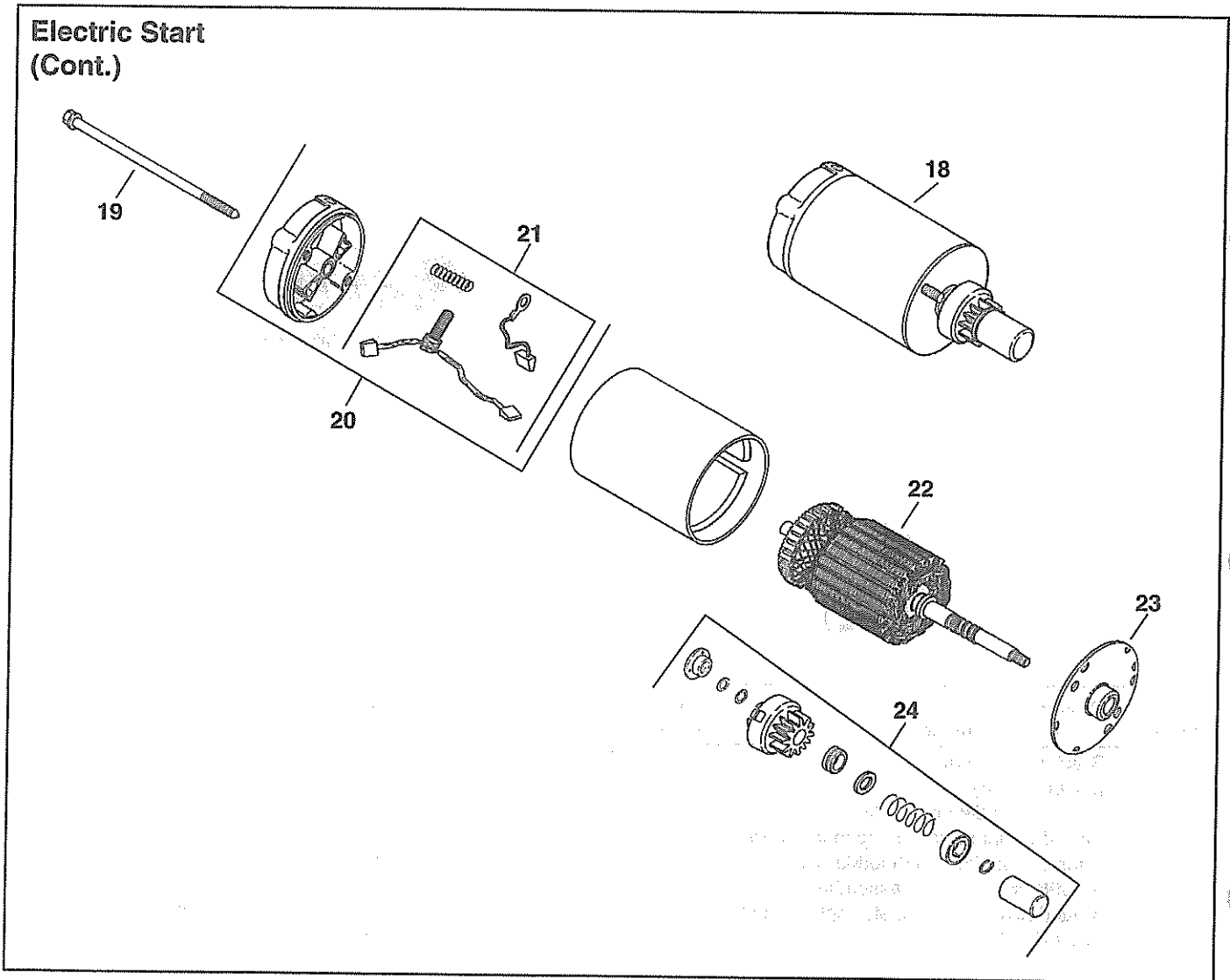
Index Number	Description Variation Number	Part Number	Index Number	Description Variation Number	Part Number
1	Starter assembly (Includes 2-8) (Use before Serial No. 2235000013 for individual starter components only. After Serial No. 2235000003 use 41 098 06 for starter assembly breakdown. For complete replacement order 41 098 06.) (Replaced by 41 098 06) 576,578,580,581,582,585,586	41 098 04	11	Screw, sems hex. cap 1/4-20x3/4" (2) 576,580,585	X-67-62
2	Bolt, thru 1/4-20x5-1/16" (2)	41 086 19	11	Screw, sems hex. cap 1/4-20x3/4" 578,580,581,582,586	X-67-62
3	Cap, commutator end assembly	52 227 03	12	Screw, flange hex. cap 1/4-20x7/16" (2) 576,581	X-67-83
4	Kit, brush and spring (Replaced by 52 227 03)	52 755 15	12	Screw, flange hex. cap 1/4-20x7/16" 576,578,580,582	X-67-83
5	Armature	45 170 02	12	Screw, flange hex. cap 1/4-20x7/16" (3) 580	X-67-83
6	Cap, drive end	41 227 03	12	Screw, flange hex. cap 1/4-20x7/16" 585	X-67-83
7	Kit, drive (Includes 8)	47 755 07	13	Screw, sems hex. cap 3/8-16x1" (2) 578,580,585,586	X-159-2
8	Kit, drive parts	47 755 13	13	Screw, sems hex. cap 3/8-16x1-1/4" (2) 582	X-159-3
9	Bracket 576,578,580,581,582	45 126 17	14	Bracket, solenoid 578,580,582	47 126 29
9	Bracket (Use before Serial No. 1714200013) 585	45 126 17	14	Bracket, solenoid (Use before Serial No. 1714200013) 585	47 126 29
10	Washer, lock 1/4" (2) 576,580,581	X-20-1	15	Solenoid 576,580	25 435 01
			15	Solenoid 581	45 435 07

**Electric Start
(Cont.)**

M16

Index Number	Description Variation Number	Part Number	Index Number	Description Variation Number	Part Number
15	Solenoid (Use before Serial No. 1723300013) 585	25 435 01	16	Nut, hex. 1/4-20 (2) (Use before Serial No. 1723300013) 585	X-81-1
16	Nut, hex. 1/4-20 (2) 576,580,581	X-81-1	17	Clip 582	47 154 03

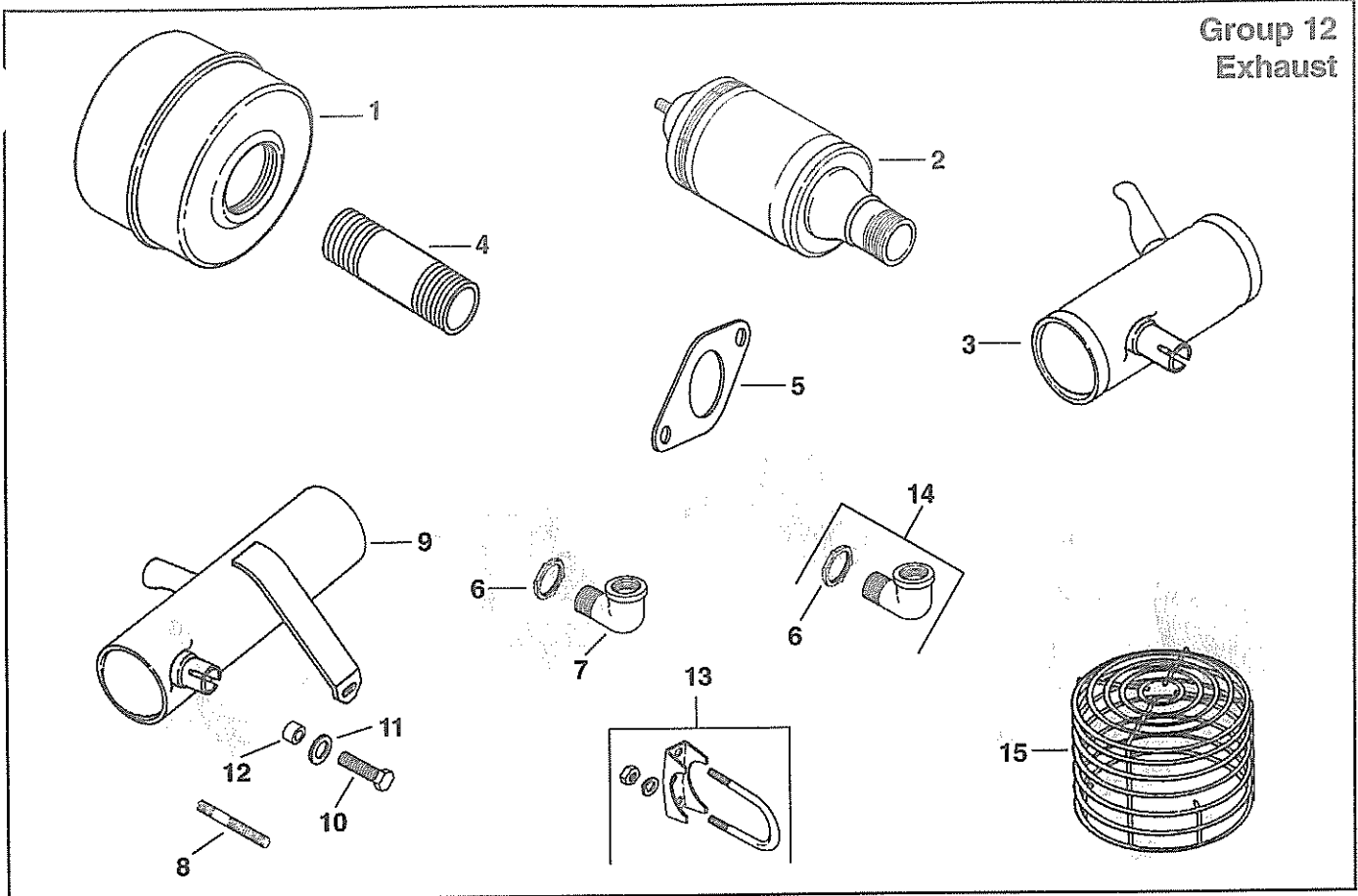
**Electric Start
(Cont.)**



Index Number	Description Variation Number	Part Number	Index Number	Description Variation Number	Part Number	
18	Starter assembly (Includes 19-24) (Use after Serial No. 2235000013) 576,578,580,581,582,585,586	41 098 06	Not Illustrated			
19	Bolt, thru 1/4-20x5-1/16" (2)	41 086 19	Bracket, starter (Not supplied by Kohler Co., contact Original Equipment Manufacturer.) 585,586			
20	Cap, commutator end assembly	41 227 05	Lubricant, starter 576,578,580,581,582,585,586			52 357 01
21	Kit, brush & spring	82 755 28	Lead, black, solenoid to starter (6" - 6 gauge - terminals: 2 insulated grip barrel eyelets) 576,580,581			52 518 03
22	Armature	45 170 03				
23	Cap, drive end	41 081 05				
24	Kit, drive	41 755 33				

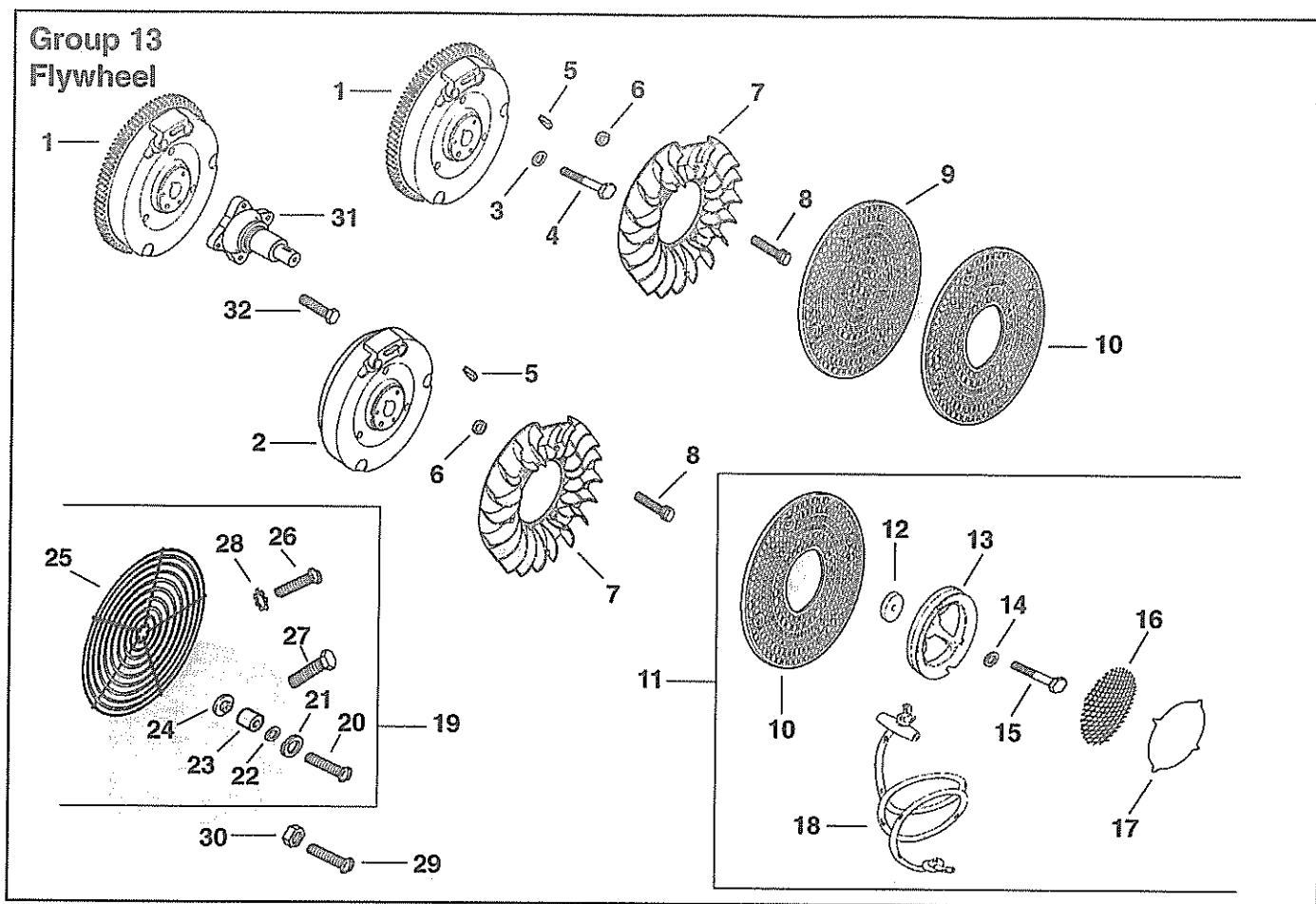
NOTE: For decals, see Accessories Catalog E-1953-A.

Group 12
Exhaust



Index Number	Description Variation Number	Part Number	Index Number	Description Variation Number	Part Number
1	Muffler 25,503,505,507	45 068 01	7	Elbow, street 29	45 054 16
2	Muffler, spark arrestor 28,34,37	45 068 08	7	Elbow, exhaust 36	45 054 04
3	Muffler 506	45 068 10	8	Stud (2) 26,503	41 072 19
4	Pipe 1-1/4 N.P.T.F. x 6" 25,28,31,502,506,507	25 136 03	8	Stud, 3-11/32" 504	237522
4	Pipe 1-1/4 N.P.T.F. x 6" 29	45 136 02	9	Muffler 36	47 068 15
4	Pipe 1-1/4 N.P.T.F. x 3" 504	45 136 01	10	Screw, sems hex. cap 5/16-18x1" 36	41 086 15
5	Gasket, exhaust 32,501	45 041 15	11	Washer, plain 3/4" 36	X-25-20
6	Nut, lock 1-1/4" (Use after Serial No. 1928400003) 7	45 100 01	12	Spacer 13/32" I.D. 36,504	X-400-71
6	Nut, lock 1-1/4" 8,28,29,36,38	45 100 01	13	Clamp (2) 36	237548
7	Elbow, exhaust (Use after Serial No. 1928400003) 7	45 054 04	13	Clamp 506	45 237 01
7	Elbow, exhaust 8	45 054 05	14	Elbow (Includes 6) 38	45 054 20
7	Elbow, street 28	45 054 15	15	Guard, muffler 505	25 314 01

M16



Index Number	Description Variation Number	Part Number	Index Number	Description Variation Number	Part Number
1	Flywheel 503,505,507,508,509,510,511,512, 514,516,517,520,521	47 025 53	5	Key, woodruff 3/16x1" 88,500,501,502,503,504,505,506, 507,508,509,510,512,513,514,515, 516,517,518,519,520,521,522	X-46-3
1	Flywheel 504	47 025 58	5	Key, woodruff 3/16x1" (Use before Serial No. 1713300013)	X-46-3
2	Flywheel 88,506,518	47 025 54	5	Key, woodruff 3/16x5/8" (Use after Serial No. 1713300003)	X-46-3
2	Flywheel 500,501 Before Serial No. 2006700013 use: After Serial No. 2006700003 use:	47 025 54 47 025 56	5	Key, woodruff 3/16x5/8" 511	X-42-15
2	Flywheel 502,513,515,519,522	47 025 56	6	Spacer 17/64" I.D. (4) 88,500,501,502,503,504,505,506, 507,508,509,510,511,512,513,514, 515,516,517,518,519,520,521,522	25 112 04
3	Washer, plain 3/8" 500,501,502,503,504,505,506,507, 508,509,510,511,512,513,515,516, 517,518,521,522	52 468 15	7	Fan 88,500,501,502,503,504,505,506, 507,508,509,510,511,512,513,514, 516,517,518,519,520,521,522	25 157 01
3	Washer, plain 3/8" (Use before Serial No. 1826800013)	52 468 15	7	Fan 515	25 157 02
4	Screw, hex. cap 3/8-24x1-1/4" 502,503,504,505,506,507,508,509, 510,511,512,513,515,516,517,518, 521,522	25 086 24	8	Screw, sems hex. cap 1/4-20x5/8" (4) 88,500,501,502,503,504,505,506, 507,508,509,510,511,512,513,514, 516,517,518,519,520,521,522	25 086 21
4	Screw, hex. cap 3/8-24x1-1/4" (Use before Serial No. 1826800013)	25 086 24	9	Screen, grass 503,506,511,517,521	25 162 01
	520	25 086 24			

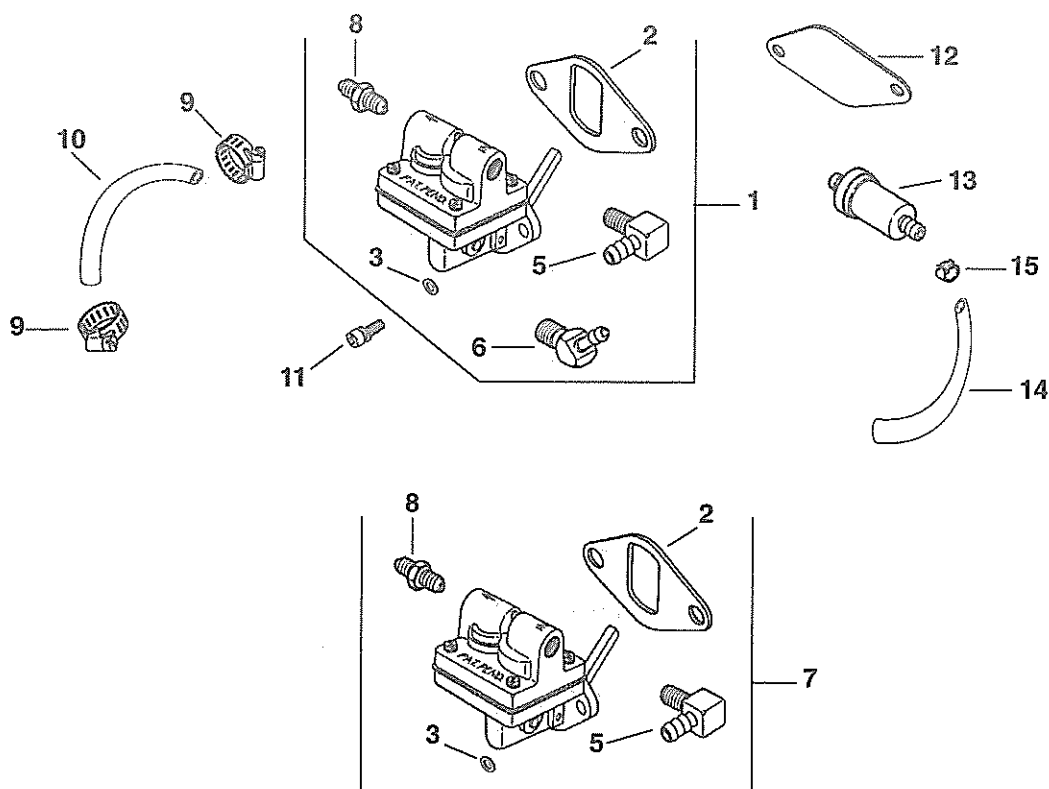
M16

Index Number	Description Variation Number	Part Number	Index Number	Description Variation Number	Part Number
9	Screen, grass (Use before Serial No. 1826800013) 520	25 162 01	20	Screw, pan hd. 10-16x7/8" (5) 517	25 086 42 ^c
10	Screen, grass 88,500,501,509,513,514,519	25 162 02	21	Washer, lock #10 (5) 517	X-19-1 ^{a,b}
10	Screen, grass 502,504 Before Serial No. 2027800013 use: After Serial No. 2027800003 use:	25 162 02 25 162 04	22	Washer, plain 3/16" (5) 517	25 468 03
10	Screen, grass 505,512,516,518	25 162 03	23	Spacer 1/2" thick (5) 517	25 112 08 ^{a,c}
10	Screen, grass 510 Before Serial No. 2101400013 use: After Serial No. 2101400003 use:	25 162 02 25 162 04	23	Spacer 11/32" thick (5) 517	47 112 21 ^{b,d}
10	Screen, grass (Use before Serial No. 1826800003) 520	25 162 02	24	Diaphragm (5) 517	220074
10	Screen, grass 522	25 162 04	25	Guard, grass screen 517	47 314 01
11	Kit, rope start pulley (Includes 10,12-18, decal 25 113 06) 88,500,501,514,519	47 755 29	26	Screw, fillister hd. 10-16x3/4" (5) 517	25 086 36 ^d
11	Kit, rope start pulley (Includes 10,12-18, decal 25 113 06) (Use after Serial No. 1826800003) 520	47 755 29	27	Screw, hex. cap 10-24x1" (5) 517	X-97-4 ^a
12	Spacer 88,500,501,514,519,520	47 112 18	28	Washer, lock #10 (5) 517	X-22-22 ^{c,d}
13	Pulley 88,500,501,514,519,520	47 093 01	29	Screw, pan hd. 10-24x3/8" (5) 517	X-50-7
14	Washer, plain 3/8" 88,500,501,514,519	52 114 01	30	Nut, elastic stop 10-24 (5) 517	X-101-9
14	Washer, plain 3/8" (Use after Serial No. 1826800003) 520	52 114 01	31	Shaft, front drive 505	52 144 19
15	Screw, hex. cap 3/8-24x1-3/4" 88,500,501,514,519	25 086 25	31	Shaft, front drive 508 Before Serial No. 1634300013 use: After Serial No. 1634300003 use:	52 144 19 235954
15	Screw, hex. cap 3/8-24x1-3/4" (Use after Serial No. 1826800003) 520	25 086 25	31	Shaft, front drive 512,516	47 144 09
16	Screen 88,500,501,514,519,520	230098	32	Screw, sems hex. cap 3/8-16x1" (4) 505,508,512,516	X-159-2
17	Retainer 88,500,501,514,519,520	230363	NOTE: a. To install guard to blower housing equipped "with" weld nuts, and "with" an extended mounting surface.		
18	Rope 88,500,501,514,519,520	A-230099	b. To install guard to blower housing equipped "with" weld nuts, but "without" an extended mounting surface.		
19	Kit, fixed grass screen (Includes 20-28) 517	47 755 37	c. To install guard to blower housing "not" equipped with weld nuts, but "with" an extended mounting surface.		
20	Screw, pan hd. 10-24x7/8" (5) 517	X-50-12 ^b	d. To install guard to blower housing "not" equipped with weld nuts, and "without" an extended mounting surface.		

NOTE: For decals, see Accessories Catalog E-1953-A.

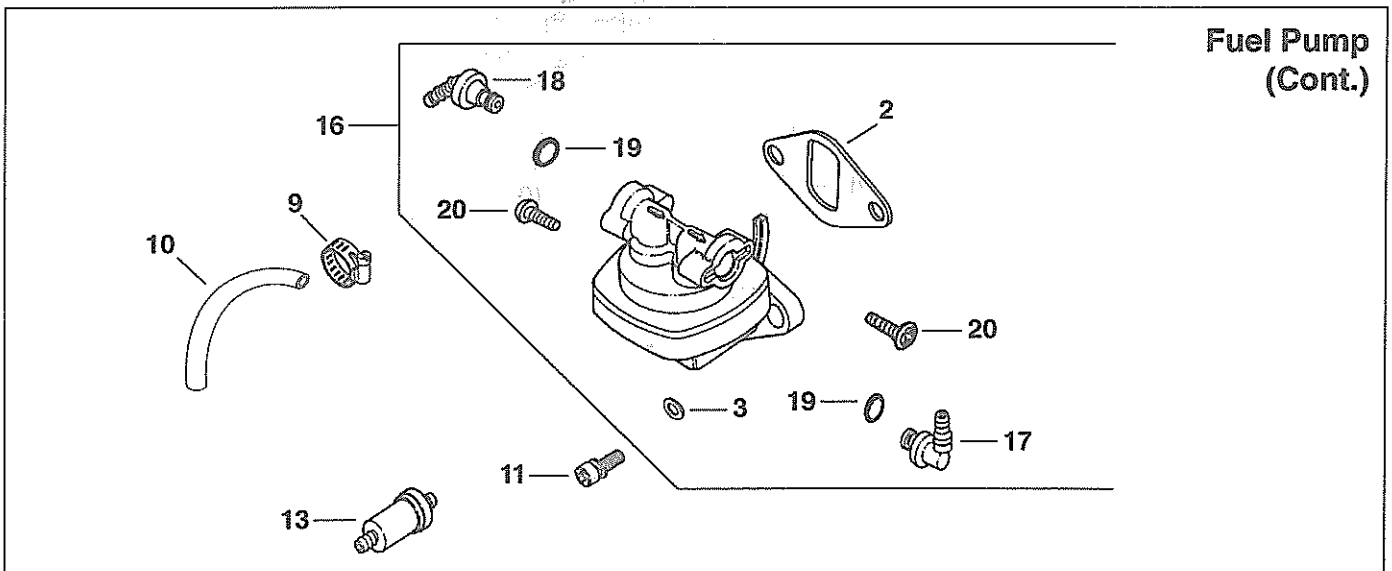
M16

Group 14 Fuel Pump



Index Number	Description Variation Number	Part Number	Index Number	Description Variation Number	Part Number
1	Pump, fuel (Includes 2-6) 41,46,49,50,51,502,503,504,505,506, 507,508,510,511,514,515,516,517, 518,519	47 559 04	9	Clamp, hose (2) 41,46,50,502,513,519	X-426-9
2	Gasket, fuel pump 41,46,49,50,51,502,503,504,505,506, 507,508,510,511,513,514,515,516, 517,518,519	25 041 09	9	Clamp, hose (2) 51	25 237 01
3	Washer, plain 1/4" (2) 41,46,49,50,51,502,503,504,505,506, 507,508,510,511,513,514,515,516, 517,518,519	X-25-63	9	Clamp, hose (2) (Use before Serial No. 1634500013) 504	X-426-9
4	Connector, hose – 90° 3/16" 41,46,49,50,51,502,503,504,505,506, 507,508,510,511,513,514,515,516, 517,518,519	X-391-11	9	Clamp, hose (2) (Use before Serial No. 1629900013) 506	X-426-9
5	Connector, hose – 90° 1/4" (2) 41,46,49,50,51,502,503,504,505,506, 507,508,510,511,513,514,515,516, 517,518,519	25 155 02	9	Clamp, hose (2) (Use before Serial No. 1804800013) 508	X-426-9
6	Connector, hose – 45° 1/4" 41,46,49,50,51,502,503,504,505,506, 507,508,510,511,514,515,516,517, 518,519	47 155 12	9	Clamp, hose (2) (Use before Serial No. 2013100013) 514,516,518	X-426-9
7	Pump, fuel (Includes 2,3,5,8) 513	47 559 02	9	Clamp, hose (2) (Use before Serial No. 1926900013) 515	X-426-9
8	Connector, hose – straight 1/4" 513	X-380-2	10	Line, fuel 5-1/2" 41,502	25 353 01
			10	Line, fuel 3" 46,513,519	25 353 02
			10	Line, fuel 6-1/2" 51	41 353 13
			10	Line, fuel 5-1/2" (Use before Serial No. 1634500013) 504	25 353 01

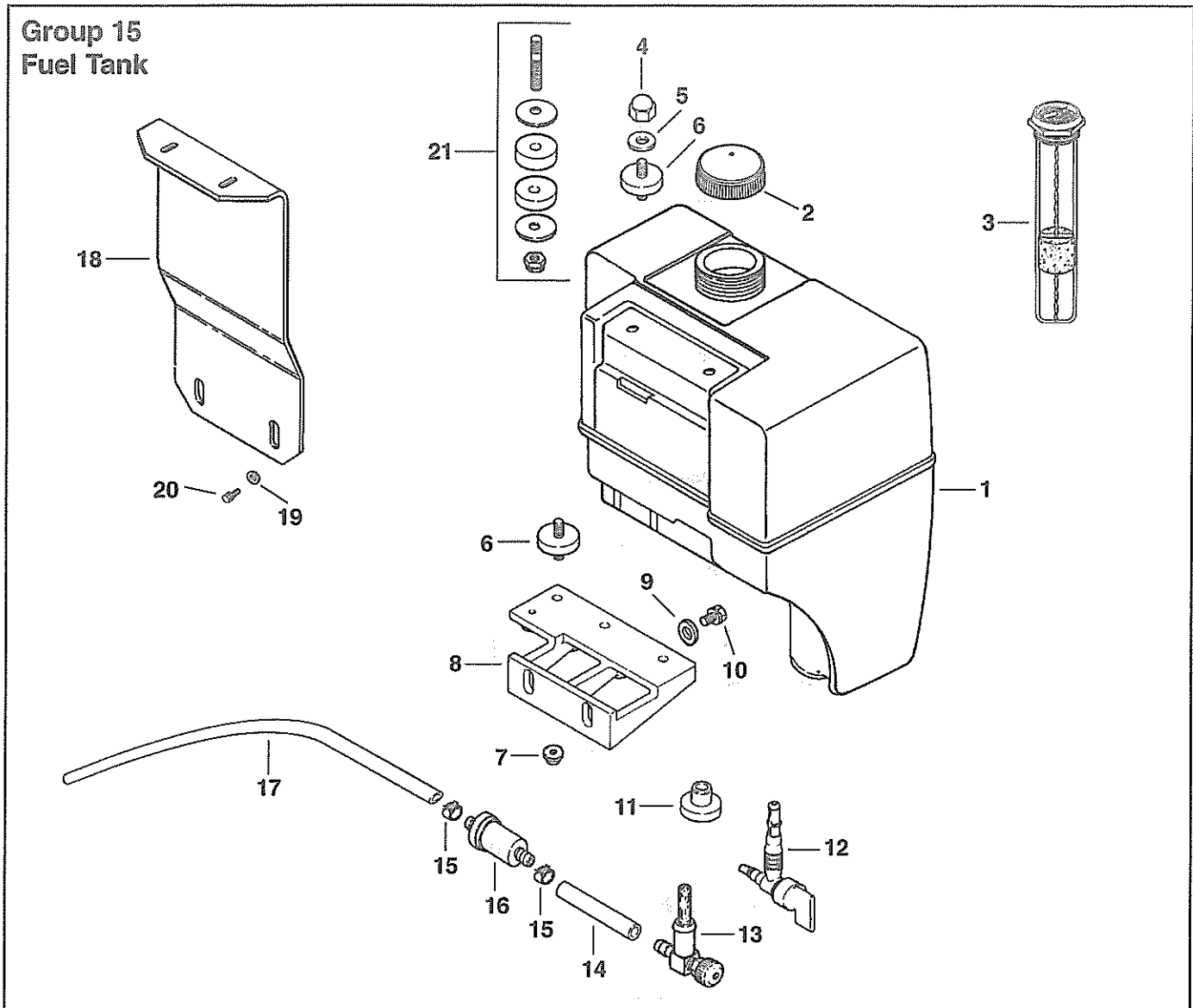
Index Number	Description Variation Number	Part Number	Index Number	Description Variation Number	Part Number
10	Line, fuel 5-1/2" (Use before Serial No. 1629900013) 506	25 353 01	13	Filter, fuel 46,50,51,510,513,517,519	25 050 02
10	Line, fuel 5-1/2" (Use before Serial No. 1804800013) 508	25 353 01	14	Line, fuel 9" 41	25 353 10
10	Line, fuel 5-1/2" (Use before Serial No. 2013100013) 514,516,518	25 353 01	14	Line, fuel 19" 50,510	47 353 02
10	Line, fuel 5-1/2" (Use before Serial No. 1926900013) 515	25 353 01	14	Line, fuel 20" 51	41 353 11
11	Screw, fillister hd. 1/4-20x3/4" (2) 41,46,49,50,51,502,506,507,509, 510,513,515,516,517,519	X-174-2	14	Line, fuel 6-1/4" (Use before Serial No. 1933200013) 513	25 353 04
12	Cover, fuel pump 509,512	240282	15	Clamp, hose (2) 50,51	25 237 01
			15	Clamp, hose 510	25 237 01



Index Number	Description Variation Number	Part Number	Index Number	Description Variation Number	Part Number
16	Pump, fuel (w/press-in fittings) (Flow arrows go right to left as shown) (Includes 2, [25 041 09], 3,15-18) (Replaced by 47 559 04) 502,503,507,508,511,515,518	47 559 08	18	Connector, 45° press fit w/O-Ring (A.R.) (For 1/4" I.D. rubber hose) 502,503,507,508,511,515,518	25 294 02
17	Connector, 90° press fit w/O-Ring (A.R.) (2) (For 1/4" I.D. rubber hose) 502,503,507,508,511,515,518	25 294 01	19	O-Ring (4) 502,503,507,508,511,515,518	25 153 01
			20	Screw, truss hd. 6-19x3/8" (2) 502,503,507,508,511,515,518	25 086 35

M16

Group 15 Fuel Tank



Index Number	Description Variation Number	Part Number	Index Number	Description Variation Number	Part Number
1	Tank, fuel (1/2" high filler neck) (Replaced by 47 755 39) 566,567,568,569,570,571,572,573, 574,575,577,578	47 065 04 ¹	1	Tank, fuel (Use after Serial No. 1929400003) 576	47 065 07 ¹
1	Kit, fuel tank (3/4" high filler neck) (Includes cap 25 173 03) 566,567,568,569,570,571,572,573, 574,575,577,578,579,584,588	47 755 39 ¹	2	Cap, fuel tank (Use on tank with 1/2" high filler neck) 566,567,568,569,570,571,572,573, 574,575,577,578	25 173 02 ¹
1	Kit, fuel tank (3/4" high filler neck) (Includes cap 25 173 03) (Use before Serial No. 1929400013) 576	47 755 39 ¹	2	Cap, fuel tank (Use on tank with 3/4" high filler neck) 566,567,568,569,570,571,572,573, 574,575,576,577,578,584,588	25 173 03 ¹
			3	Cap, fuel gauge 571,573,577,579	47 173 04 ¹

¹NOTE: Order these parts according to style used on engine.

Index Number	Description Variation Number	Part Number	Index Number	Description Variation Number	Part Number
4	Nut, acorn (2) 566,567,568,569,570,571,572,573, 574,575,576,577,578,579,584	25 100 04 ²	14	Line, fuel 6-1/2" (Use after Serial No. 1724000003, but before Serial No. 1922300013) 571	41 353 13
5	Washer, plain 1/4" (2) 566,567,568,569,570,571,572,573, 574,575,576,577,578,579,584	X-25-78 ^{1,2}	14	Line, fuel 6-1/2" (Use after Serial No. 1724000003) 573	41 353 13
6	Mount, isolation (4) (Replaced by 47 760 01) 566,567,568,569,570,571,572,573, 574,575,576,577,578,579,584	47 366 01 ²	14	Line, fuel 6-1/2" (Use after Serial No. 1908800003) 577	41 353 13
7	Pinut 1/4-20 (2) 566,567,568,569,570,571,572,573, 574,575,576,577,578,579,584	X-799-1 ²	15	Clamp, hose (2) 576,578	25 237 01
8	Bracket, lower tank 566,567,568,570,571,572,573,574, 575,576,577,578,579,584,588	47 126 30	15	Clamp, hose (4) 569,575,579,584,588	25 237 01
9	Washer, plain 3/8" (2) 566,567,568,570,571,572,573,574, 575,576,577,578,579,584,588	X-25-28	15	Clamp, hose (2) (Use before Serial No. 1820400013) 566,572	25 237 01
10	Screw, hex. cap 3/8-16x1-1/4" (2) 566,567,568,570,571,572,573,574, 575,576,577,578,579,584,588	X-159-3	15	Clamp, hose (4) (Use after Serial No. 1820400003) 566,572	25 237 01
11	Bushing (Use w/metal shut-off valve 25 462 01) 566,567,568,569,570,571,572,573, 574,575,577,578	41 158 03	15	Clamp, hose (2) (Use after Serial No. 1820400003) 567,568	25 237 01
11	Bushing (Use w/plastic shut-off valve 25 462 03) 566,567,568,569,570,571,572,573, 574,575,577,578,584,588	25 313 01	15	Clamp, hose (Before Serial No. 1724000013 use qty.2, after Serial No. 1724000003 use qty.4) 571,573,574	25 237 01
12	Valve, fuel shut-off, plastic (Use w/bushing 25 313 01) 566,567,568,569,570,571,572,573, 574,575,576,577,578,579,584,588	25 462 03 ¹	16	Filter, fuel 566,569,571,579,580,584,588	25 050 02
13	Valve, fuel shut-off, metal (Use w/bushing 41 158 03) 566,567,568,569,570,571,572,573, 574,575,577,578	25 462 01 ¹	17	Line, fuel 19" 566,567,568,569,572,574,575,576, 578,579,584,588	47 353 02
14	Line, fuel 2" 566,569,570,571,572,573,574,575, 576,579,584,588	41 353 10	17	Line, fuel 20" (Use after Serial No. 1724000003, but before Serial No. 1922300013) 571	41 353 11
14	Line, fuel 2" (Use before Serial No. 1908800013) 577	41 353 10	17	Line, fuel 23" (Use after Serial No. 1922300003) 571	41 353 12
14	Line, fuel 2" (Use before Serial No. 1724000013) 573	41 353 10	17	Line, fuel 20" 573,577	41 353 11
			18	Bracket, fuel tank support 569	45 126 18
			19	Washer, plain 1/4" (2) 569	X-25-20
			20	Screw, hex. cap 5/16-18x1" (2) 569	X-154-2
			21	Kit, fuel tank mounting (4) 588	47 760 01

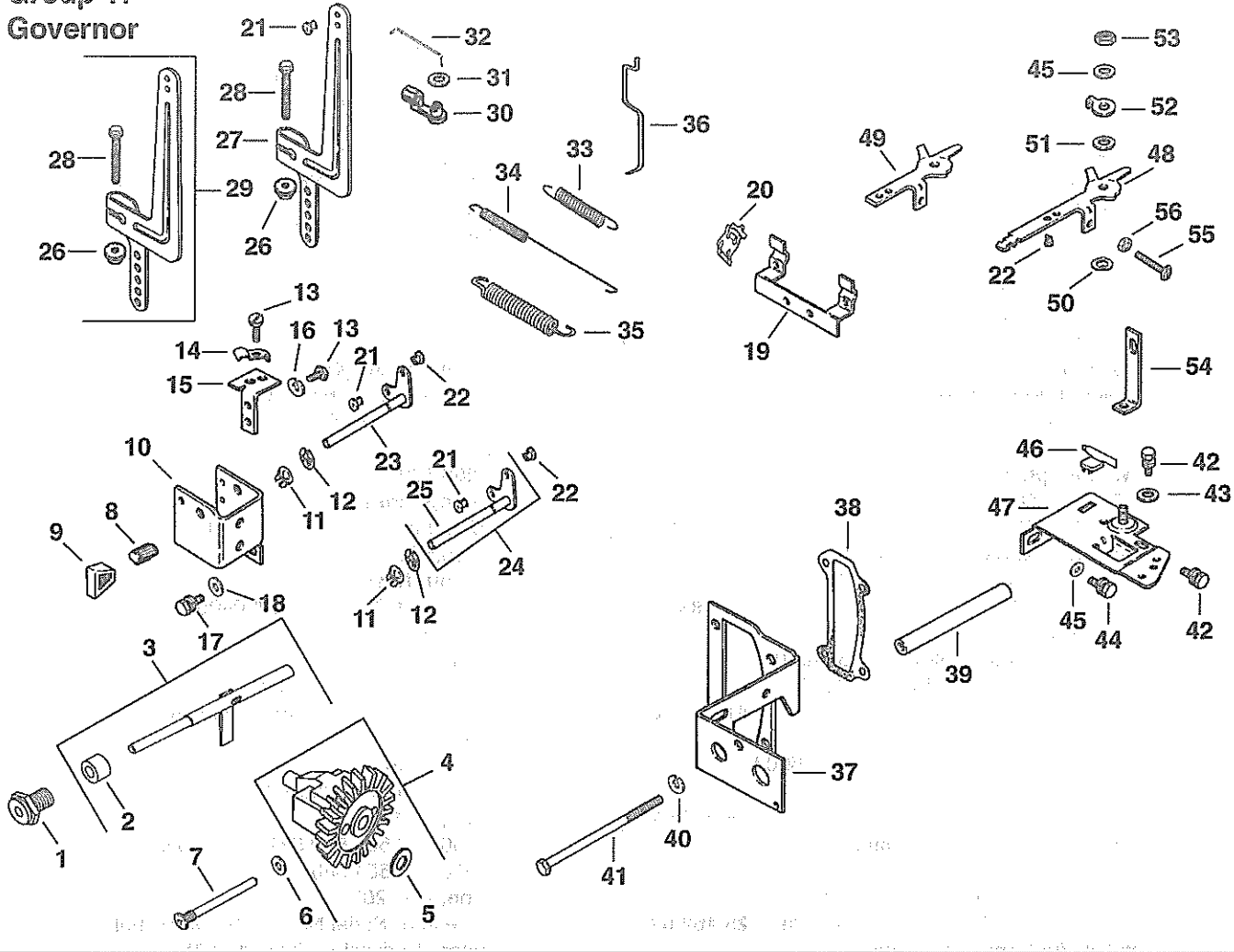
¹NOTE: Order these parts according to style used on engine.

²NOTE: Index Nos. 4, 5, 7, to be used only on engines with isolation mount design. Isolation mount 47 366 01 replaced by fuel tank mounting kit 47 760 01.

NOTE: For decals, see Accessories Catalog E-1953-A.

M16

Group 17 Governor



Index Number	Description Variation Number	Part Number	Index Number	Description Variation Number	Part Number
1	Bushing 55,56,57,551,552,553,554,555,556, 557,558,559,560,561,562,563,564, 565,566,567,568,569,570,571,572, 573,574,575,576,577,578,579,580	235476	4	Kit, governor gear (Includes 5) 553,554,556	A-236294-S
2	Spacer 55,56,57,551,552,553,554,555,556, 557,558,559,560,561,562,563,564, 565,566,567,568,569,570,571,572, 573,574,575,576,577,578,579,580	X-400-80	5	Washer, plain 3/8" 55,56,57,551,552,553,554,555,556, 557,558,559,560,561,562,563,564, 565,566,567,568,569,570,571,572, 573,574,575,576,577,578,579,580	237022
3	Kit, governor cross shaft (Includes 2) 55,56,57,551,552,553,554,555,556, 557,558,559,560,561,562,563,564, 565,566,567,568,569,570,571,572, 573,574,575,576,577,578,579,580	A-235256-S	6	Washer, plain 1/4" 55,56,57,551,552,553,554,555,556, 557,558,559,560,561,562,563,564, 565,566,567,568,569,570,571,572, 573,574,575,576,577,578,579,580	25 468 01
4	Kit, governor gear (Includes 5) 55,56,57,551,552,555,557,558,559, 560,561,562,563,564,565,566,567, 568,569,570,571,572,573,574,575, 576,577,578,579,580	A-235743-S	7	Pin, governor stop 55,56,57,551,552,553,554,555,556, 557,558,559,560,561,562,563,564, 565,566,567,568,569,570,571,572, 573,574,575,576,577,578,579,580	231355
			8	Knob, choke (w/set screw) (Use with 47 144 20) (Use before Serial No. 1811200013) 551,552,553,554,566,567,568,572, 573,575,577	47 341 02*

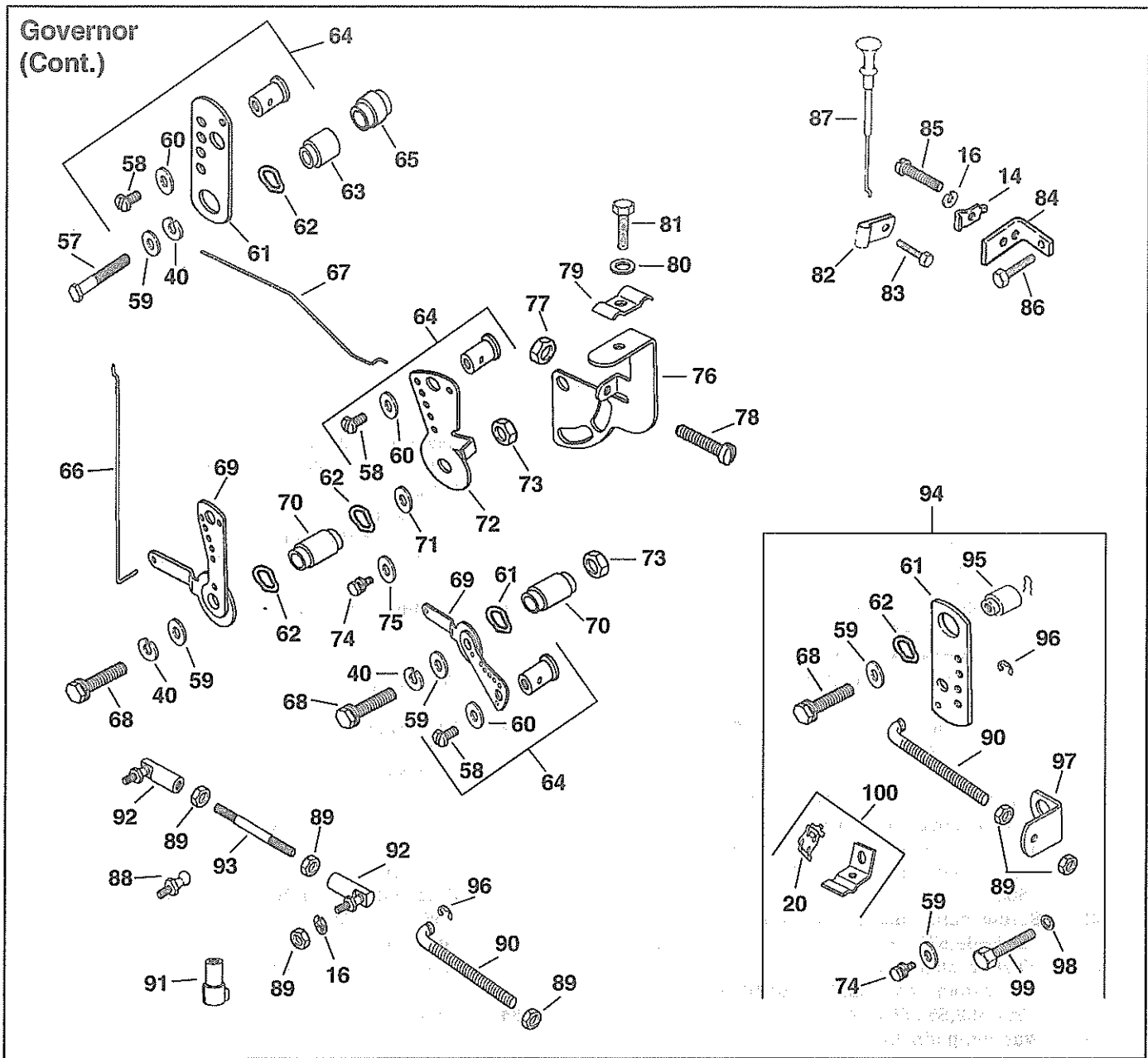
Index Number	Description Variation Number	Part Number	Index Number	Description Variation Number	Part Number
8	Knob, choke (Use with 47 144 34 & 47 755 41) (Use after Serial No. 1811200003) 551,552,553,554,566,567,568,572, 573,575,577	47 341 03*	15	Bracket 567,568,572,577	47 126 31
9	Knob, speed control 551,552,567,568,572,573,575,577	41 341 03	16	Washer, lock #10 (2) (Use before Serial No. 1821300013) 551,552,566,573,575	X-19-1
10	Bracket, choke shaft (Use before Serial No. 2119200013) 551,552,553,554,573,575	47 126 25	16	Washer, lock #10 556,560,562,570,578,579	X-19-1
10	Bracket, choke shaft (Use before Serial No. 2013500013) 566	47 126 25	16	Washer, lock #10 (Use after Serial No. 1712500003) 564	X-19-1
10	Bracket, choke shaft 567,568,572,577	47 126 25	17	Screw, sems hex. cap 10-24x3/8" (2) (Use before Serial No. 2119200013) 551,552,573,575	41 086 23
11	Bushing, choke shaft (2) 551,552,553,554,566,567,568,572, 573,575,577	25 158 05	17	Screw, sems hex. cap 10-24x3/8" (2) (Use before Serial No. 2013500013) 566	41 086 23
12	E-Ring (2) 551,552,553,554,566,567,568,572, 573,575,577	25 141 01	17	Screw, sems hex. cap 10-24x3/8" (2) 567,568,572,577	41 086 23
13	Screw, sems hex. cap 10-24x3/8" (4) (Use after Serial No. 2119200003) 551,552,573,575	X-67-97	18	Washer, plain #10 (2) (Use before Serial No. 1822200013) (Replaced by X-25-92) 551,552,553,554,573,575	X-25-36
13	Screw, sems hex. cap 10-24x3/8" (2) (Use after Serial No. 2119200003) 553,554	X-67-97	18	Washer, plain #10 (2) (Use before Serial No. 2013500013) (Replaced by X-25-92) 566	X-25-36
13	Screw, sems hex. cap 10-24x3/8" (Use before Serial No. 2119200013) 551,552,553,554,573,575	X-97-3	18	Washer, plain #10 (2) (Replaced by X-25-92) 567,568,572,577	X-25-36
13	Screw, hex. cap 10-24x3/8" (2) (Use before Serial No. 1821300013) 551,552,566,573,575	X-97-3	19	Bracket (Use before Serial No. 2119200013) 551,552,553,554,573,575	47 126 26
13	Screw, hex. cap 10-24x3/8" (2) 562,567,568,572,577	X-97-3	19	Bracket (Use before Serial No. 2013500013) 566	47 126 26
13	Screw, hex. cap 10-24x3/8" (Use before Serial No. 2013500013) 566	X-97-3	19	Bracket 567,568,572,577	47 126 26
13	Screw, hex. cap 10-24x3/8" 556,567,568,572,577	X-97-3	20	Clip (2) (Use before Serial No. 2119200013) 551,552,553,554,573,575	235603
14	Clamp, cable (Before Serial No. 2119200013 use qty. 1, and after Serial No. 2119200003 use qty. 4) 551,552,573,575	235778	20	Clip (2) (Use before Serial No. 2013500013) 566	235603
14	Clamp, cable (2) (Use after Serial No. 2119200003) 553,554	235778	20	Clip, cable 556,567,568,572,577	235603
14	Clamp, cable 560,562,567,568,572,577,579	235778	21	Bushing, linkage - black 55,56,57,555,556,557,558,559,560, 561,563,569,571,574,576,579,580	25 158 11
14	Clamp, cable (4) (Use after Serial No. 2013500003) 566	235778	21	Bushing, linkage - black (2) 551,552,553,554,566,567,568,572, 573,575,577	25 158 11
15	Bracket (Use before Serial No. 2119200013) 551,552,573,575	47 126 31	21	Bushing, linkage - black (Use before Serial No. 1712500013) 564	25 158 11
15	Bracket (Use before Serial No. 2013500013) 566	47 126 31	22	Bushing, linkage - white (2) 551,552,566,567,568,572,573,575, 577	47 158 03
			22	Bushing, linkage - white 553,554,580	47 158 03

Index Number	Description Variation Number	Part Number	Index Number	Description Variation Number	Part Number
23	Shaft, choke control (Use with knob 47 341 02) (Replaced by 47 755 41) (Use before Serial No. 1811200013) 551,552,553,554,566,567,568,572, 573,575,577	47 144 20*	32	Linkage, carburetor 55,56,57,551,552,553,554,555,556, 557,558,559,560,561,563,565,566, 567,568,569,571,572,573,574,575, 576,577,579,580	47 079 10
23	Kit, choke control shaft (Includes 8,12) (Use after Serial No. 1811200003, but before Serial No. 2119200013) 551,552,553,554,573,575	47 755 41*	32	Linkage, carburetor (Use before Serial No. 1712500013) 564	47 079 10
23	Kit, choke control shaft (Includes 8,12) (Use after Serial No. 1811200003) 567,568,572,577	47 755 41*	33	Spring, linkage 553,554	230117
24	Control assembly, choke (Includes 25) (Use after Serial No. 2119200003) 551,552,553,554,573,575	47 144 34	34	Spring, governor 551,552,566,567,568,572,573,575, 577	47 089 09
24	Control assembly, choke (Includes 25) (Use after Serial No. 2013500003) 566	47 144 34	34	Spring, governor 553,554	47 089 07
25	Shaft, choke 551,552,553,554,566,573,575	47 144 33	35	Spring, governor 55,57,556,557,561,562,564,565, 569,570,574,576,578,580	47 091 01
26	Palnut 1/4-20 55,56,57,551,552,553,554,555,556, 557,558,559,560,561,562,563,564, 565,566,567,568,569,570,571,572, 573,574,575,576,577,578,579,580	X-799-1	35	Spring, governor 56,555,559,560,563,571,579	235496
27	Lever, governor 55,56,57,551,552,553,554,555,556, 557,558,559,560,561,563,564,565, 566,567,568,569,570,571,572,573, 574,575,576,577,578,579,580	47 090 20	35	Spring, governor 558 Before Serial No. 1614100013 use: After Serial No. 1614100003 use:	235496 47 091 01
27	Lever, governor (Use before Serial No. 1717500013) 562	47 090 20	36	Linkage, choke 551,552,553,573,575 Before Serial No. 2119200013 use: After Serial No. 2119200003 use:	47 079 04 47 079 16
28	Screw, sems hex. cap 1/4-20x1-1/4" 55,56,57,551,552,553,554,555,556, 557,558,559,560,561,562,563,564, 565,566,567,568,569,570,571,572, 573,574,575,576,577,578,579,580	X-776-1	36	Linkage, choke 566 Before Serial No. 2013500013 use: After Serial No. 2013500003 use:	47 079 04 47 079 16
29	Lever assembly, governor (Includes 26,28) (Use after Serial No. 1717500003) 562	A-237653	36	Linkage, choke 567,568,572,577	47 079 04
30	Bushing, linkage - natural 55,56,57,551,552,553,554,555,556, 557,558,559,560,561,563,565,566, 567,568,569,571,572,573,574,575, 576,577,579,580	47 158 07	37	Bracket, control panel (Use before Serial No. 2119200013) 551,552,553,554,573,575	47 126 28
30	Bushing, linkage - natural (Use before Serial No. 1712500013) 564	47 158 07	37	Bracket, control panel (Use before Serial No. 2013500013) 566	47 126 28
31	Washer, plain 3/16" (Use before Serial No. 1617700013) 551,552,556,557,558,567,568,575, 577	25 468 02	37	Bracket, control panel 567,568,572,577	47 126 28
			38	Gasket, camshaft cover (Use before Serial No. 2119200013) 551,552,553,554,573,575	235025
			38	Gasket, camshaft cover (Use before Serial No. 2013500013) 566	235025
			38	Gasket, camshaft cover 567,568,572,577	235025
			39	Spacer (Use before Serial No. 2119200013) 551,552,553,554,573,575	25 112 03
			39	Spacer (Use before Serial No. 2013500013) 566	25 112 03
			39	Spacer 567,568,572,577	25 112 03

M16

Index Number	Description Variation Number	Part Number	Index Number	Description Variation Number	Part Number
40	Washer, lock 1/4" 56,57,555,556,558,559,560,561, 563,564,565,567,568,569,570,571, 572,574,576,577,578,579	X-20-1	46	Switch, kill (Use before Serial No. 2119200013) (Replaced by 25 452 13) 551,573	25 099 12
40	Washer, lock 1/4" (Use before Serial No. 2119200013) 551,552,553,554,573,575	X-20-1	46	Switch, kill (Replaced by 25 452 13) 568	25 099 12
40	Washer, lock 1/4" (Use before Serial No. 2013500013) 566	X-20-1	47	Bracket, speed control (Use before Serial No. 2119200013) 551,552,553,573,575	47 126 21
40	Washer, lock 1/4" (Use before Serial No. 1614100013) 558	X-20-1	47	Bracket, speed control (Use before Serial No. 2013500013) 566	47 126 21
41	Screw, hex. cap 1/4-20x5-1/16" (Use before Serial No. 2119200013) 551,552,553,554,573,575	47 086 16	47	Bracket, speed control 567,568,572,577	47 126 21
41	Screw, hex. cap 1/4-20x5-1/16" (Use before Serial No. 2013500013) 566	47 086 16	48	Lever, speed control 551,552,566,567,568,572,573,575	47 090 19
41	Screw, hex. cap 1/4-20x5-1/16" 567,568,572,577	47 086 16	49	Lever, speed control 553,554	47 090 22
42	Screw, hex. cap 1/4-20x3/8" (Use before Serial No. 2119200013) 551,552,553,554,573,575	X-132-1	50	Washer, spring 1/4" (2) 551,552,553,554,566,567,568,572, 573,575	41 468 03
42	Screw, sems hex. cap 1/4-20x3/8" (Use before Serial No. 2013500013) 566	X-132-1	51	Washer, plain 1/4" (Use after Serial No. 2119200003) 552,554,573,575	X-25-78
42	Screw, sems hex. cap 1/4-20x3/8" 563,567,568,572,577	X-132-1	51	Washer, plain 1/4" 567	X-25-78
42	Screw, sems hex. cap 1/4-20x3/8" (Use before Serial No. 2119200013) 551,552,553,554,573,575	X-132-1	52	Tab, locking 551,552,553,554,566,567,568,572, 573,575	52 448 02
42	Screw, sems hex. cap 1/4-20x3/8" (Use before Serial No. 2013500013) 566	X-132-1	53	Nut, jam 1/4-20 551,552,553,566,567,568,572,573, 575,577	41 100 04
42	Screw, sems hex. cap 1/4-20x3/8" 567,568,572,577	X-132-1	54	Bracket (Use before Serial No. 2119200013) 551,552,573,575	47 126 27
43	Washer, plain 1/4" (Use before Serial No. 2119200013) 551,552,553,554,573,575	X-25-63	54	Bracket (Use before Serial No. 2013500013) 566	47 126 27
43	Washer, plain 1/4" (Use before Serial No. 2013500013) 566	X-25-63	54	Bracket 567,568,572,577	47 126 27
43	Washer, plain 1/4" 567,568,572,577	X-25-63	55	Screw, pan hd. 10-24x3/8" (Use before Serial No. 2119200013) 551,552,553,554,573,575	X-50-7
44	Screw, sems hex. cap 1/4-20x5/8" (2) (Use before Serial No. 2119200013) 551,552,553,554,573,575	X-132-5	55	Screw, pan hd. 10-24x3/8" (Use before Serial No. 2013500013) 566	X-50-7
44	Screw, sems hex. cap 1/4-20x5/8" (2) (Use before Serial No. 2013500013) 566	X-132-5	55	Screw, pan hd. 10-24x3/8" 567,568,572,577	X-50-7
44	Screw, sems hex. cap 1/4-20x5/8" (2) 567,568,572,577	X-132-5	55	Screw, hex. socket cap 10-24x1" (Use after Serial No. 2119200003) 551,552,553,554,573,575	47 086 25
45	Washer, plain 1/4" (2) (Use before Serial No. 2119200013) 551,552,553,554,573,575	X-25-53	56	Nut, hex. 10-24 551,552,553,554,572,573,575,577	X-70-2
45	Washer, plain 1/4" (2) (Use before Serial No. 2013500013) 566	X-25-53	*NOTE: Order according to design used on engine or use choke control shaft kit 47 755 41.		
45	Washer, plain 1/4" 567,568,572,577	X-25-53			

M16

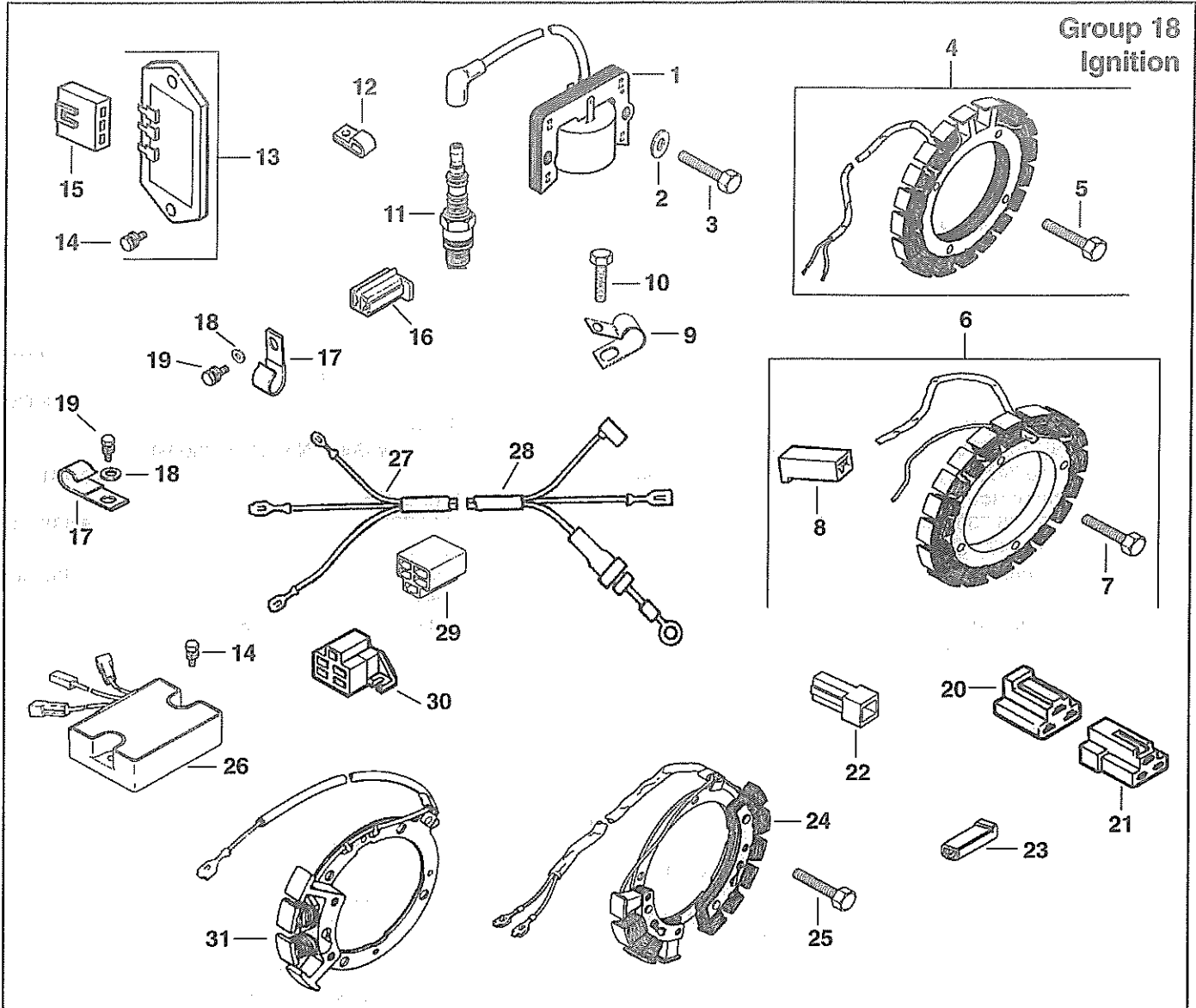


Index Number	Description Variation Number	Part Number	Index Number	Description Variation Number	Part Number
57	Screw, hex. cap 1/4-20x1-1/2" 56,555,556,559,560,571,579	X-5-26	58	Screw, pan hd. 8-32x1/4" (Use after Serial No. 1922300003) (Replaced by 41 086 20)	
57	Screw, hex. cap 1/4-20x1-1/2" (Use before Serial No. 1614100013)		58	576	X-51-8
	558	X-5-26	59	Washer, plain 1/4"	
58	Screw, pan hd. 8-32x1/4" (Replaced by 41 086 20)		59	56,57,555,558,559,560,561,562, 563,564,565,569,570,571,574,576, 578,579	X-25-63
	56,57,555,556,559,560,562,564, 565,569,571,574,578,579	X-51-8	59	Washer, plain 1/4" (Use before Serial No. 1614100013)	
58	Screw, pan hd. 8-32x1/4" (Use before Serial No. 1614100013) (Replaced by 41 086 20)		59	558	X-25-63
	558	X-51-8	59	Washer, plain 1/4" (2)	X-25-63
			60	Washer, plain 1/4" 56,57,555,556,559,560,562,564, 565,569,571,574,578,579	X-25-102

Index Number	Description Variation Number	Part Number	Index Number	Description Variation Number	Part Number
60	Washer, plain 1/4" (Use before Serial No. 1614100013) 558	X-25-102	69	Lever, choke control 57,556,558,561,570,576	47 090 07
60	Washer, plain 1/4" (Use after Serial No. 1922300003) 576	X-25-102	69	Lever, choke control 559,569	47 090 40
61	Bracket, speed control 56,555,556,559,560,571,579	235086	69	Lever, choke control 560,571	47 090 05
61	Bracket, speed control (Use before Serial No. 1614100013) 558	235086	70	Spacer 23/64" O.D., 13/16" lg. 56,57,556,558,559,561,563,564, 565,569,570,574,576,578	47 112 02
62	Washer, spring 3/8" (2) 56,57,555,556,558,559,560,561, 562,563,564,565,569,570,571,574, 576,578,579,580	275690	70	Spacer 560,562,571,579,580	47 112 19
62	Washer, spring 3/8" (Use before Serial No. 1614100013) 558	275690	71	Washer, plain 1/2" 56,556,560,562,564,565,571,574, 578,579,580	X-25-82
63	Spacer 23/64" O.D., 9/16" lg. 56,555,559,560,561,571,576,579	235085	72	Lever, throttle control 56,556,562,574	47 090 10
63	Spacer 23/64" O.D., 9/16" lg. (Use before Serial No. 1614100013) 558	235085	72	Lever, throttle control 57,558,561,570,576	47 090 08
64	Kit, clamp (Includes 58,60) 56,57,555,556,559,560,562,564, 565,569,571,574,578,579	48 755 10	72	Lever, throttle control 559,569	47 090 39
64	Kit, clamp (Includes 58,60) (Use before Serial No. 1614100013) 558	48 755 10	72	Lever, throttle control 560,571	47 090 09
64	Kit, clamp (Includes 58,60) (Use after Serial No. 1922300003) 576	48 755 10	72	Lever, throttle control 580	47 090 25
65	Spacer 17/64" I.D., 13/32" O.D., 1/2" lg. 56,555,559,560,571,579	X-384-2	73	Nut, hex. 1/4-20 56,57,556,558,559,561,562,563, 564,565,569,570,574,576,578,580	X-76-2
65	Spacer 17/64" I.D., 13/32" O.D., 1/2" lg. (Use before Serial No. 1614100013) 558	X-384-2	73	Nut, hex. 1/4-20 560,571	X-81-1
66	Linkage, throttle 56,555	47 079 07	74	Screw, sems hex. cap 1/4-20x1/2" 55,56,57,555,556,557,558,559,560, 561,562,564,569,570,571,574,578, 579,580	X-132-6
66	Linkage, throttle (Use before Serial No. 1614100013) 558	47 079 08	75	Washer, plain 1/4" 55,56,57,555,556,558,559,560,561, 562,563,564,569,570,571,574,576, 578,579,580	X-25-72
66	Linkage, throttle 559,560	47 079 08	76	Bracket, choke 55,56,57,555,556,557,558,559,561, 562,563,564,569,570,574,576,578, 580	47 126 09
67	Linkage, choke 55,56,57,555,556,557,558,559,560, 561,563,564,569,570,571,574,576, 578,579,580	47 079 01	76	Bracket, choke 560,579	47 126 13
68	Screw, hex. cap 1/4-20x1-1/2" 56,57,556,558,559,560,561,563, 564,565,569,570,571,574,576,578, 579	X-5-26	77	Nut, hex. 8-32 55,56,57,555,557,558,559,560,561, 562,563,564,569,570,574,576,578, 579,580	X-72-4
68	Screw, sems hex. cap 1/4-20x1-1/4" 562,580	X-132-9	78	Screw, fillister hd. 8-32x15/16" 55,56,57,555,557,558,559,560,561, 562,563,564,569,570,571,574,576, 578,579,580	232556
69	Lever, choke control 56,563,564,565,574,578,580	47 090 06	79	Clamp, swivel 55,57,555,556,557,558,559,561, 562,563,564,569,570,574,576,578, 580	47 237 02
			80	Washer, plain 3/16" 55,56,557,558,559,561,562,563, 564,569,570,574,576,578,580	25 468 04

Index Number	Description Variation Number	Part Number	Index Number	Description Variation Number	Part Number
81	Screw, sems hex. cap 10-24x3/4" 55,57,557,558,559,561,562,563, 564,569,570,576,578,580	X-67-51	91	Body, ball joint 562,570	45 208 03
82	Clip, cable spring 56	210149	92	Joint, ball (2) (Use after Serial No. 1712500003) 564	237130
83	Screw, sems hex. cap 10-24x5/8" 56	X-67-38	92	Joint, ball (2) 578	237130
84	Bracket, choke 560	47 126 36	93	Rod, throttle (Use after Serial No. 1712500003) 564	235078
84	Bracket, choke 562	47 136 34	93	Rod, throttle 578	235078
85	Screw, fillister hd. 10-24x1/2" 560,579	X-15-5	94	Kit, speed control and choke bracket (Includes 20,59 qty. 2, 61,62,68,74, 89,90,95-100) 556	47 755 34
86	Screw, flange hex. cap 1/4-20x5/8" 562	52 086 11	95	Spacer 7/64" I.D. 556	45 112 01
87	Cable, choke 562	47 159 01	96	Retainer, throttle rod 556,562,570	235278
88	Screw, ball 562,570	48 194 01	97	Bracket, adjusting screw 556	47 126 32
89	Nut, hex. 10-32 (2) 556,562,570	X-70-3	98	Spacer 1/4" I.D. x 3/8" O.D. 556	25 431 01
89	Nut, hex. 10-32 (4) (Use after Serial No. 1712500003) 564	X-70-3	99	Screw, sems hex. cap 1/4-20x1/2" 556	25 086 14
89	Nut, hex. 10-32 (4) 578	X-70-3	100	Bracket assembly, throttle (Includes 20) 556	A-237559
90	Rod, ball joint 556,562,570	235277			

Group 18
Ignition



Index Number	Description Variation Number	Part Number	Index Number	Description Variation Number	Part Number
1	Module, ignition 95,97,736,737,738,739,740,741,742, 743,744,745,746,747,748,750,755	47 584 02	5	Screw, sems hex. cap 10-24x3/4" (2) 750	X-67-51
2	Washer, plain #10 (2) 95,736,737,738,739,740,741,742, 743,744,745,746,747,748,755	X-25-79	6	Kit, stator (25 amp) (Includes 7,8, terminal 25 452 06) 742,750	25 755 07
3	Screw, sems hex. cap 10-24x7/8" (2) (Replaced by X-67-51) 95,736,737,738,739,740,741,742, 743,744,745,746,747,748,755	X-156-1	7	Screw, sems hex. cap 10-24x1" (4) 742,750	25 086 29
4	Kit, stator (15 amp) (Includes 5, terminal 25 452 01) 95,736,738,739,740,741,743,744, 746,747,755	237878	8	Connector, receptacle, rectifier-regulator A/C (2) 742,750	25 155 04
5	Screw, sems hex. cap 10-24x3/4" (4) 95,736,738,739,740,741,743,744, 747,748,755	X-67-51	9	Clip, lead 95,97,736,738,739,740,741,743,744, 746,747,748,755	X-728-1
5	Screw, sems hex. cap 10-24x3/4" (3) 97	X-67-51	9	Clip, lead 742,750	234531
			10	Screw, sems hex. cap 8-32x3/8" 95,97,736,738,739,740,741,742,743, 744,746,747,748,750,755	X-67-59

Ignition
(Cont.)

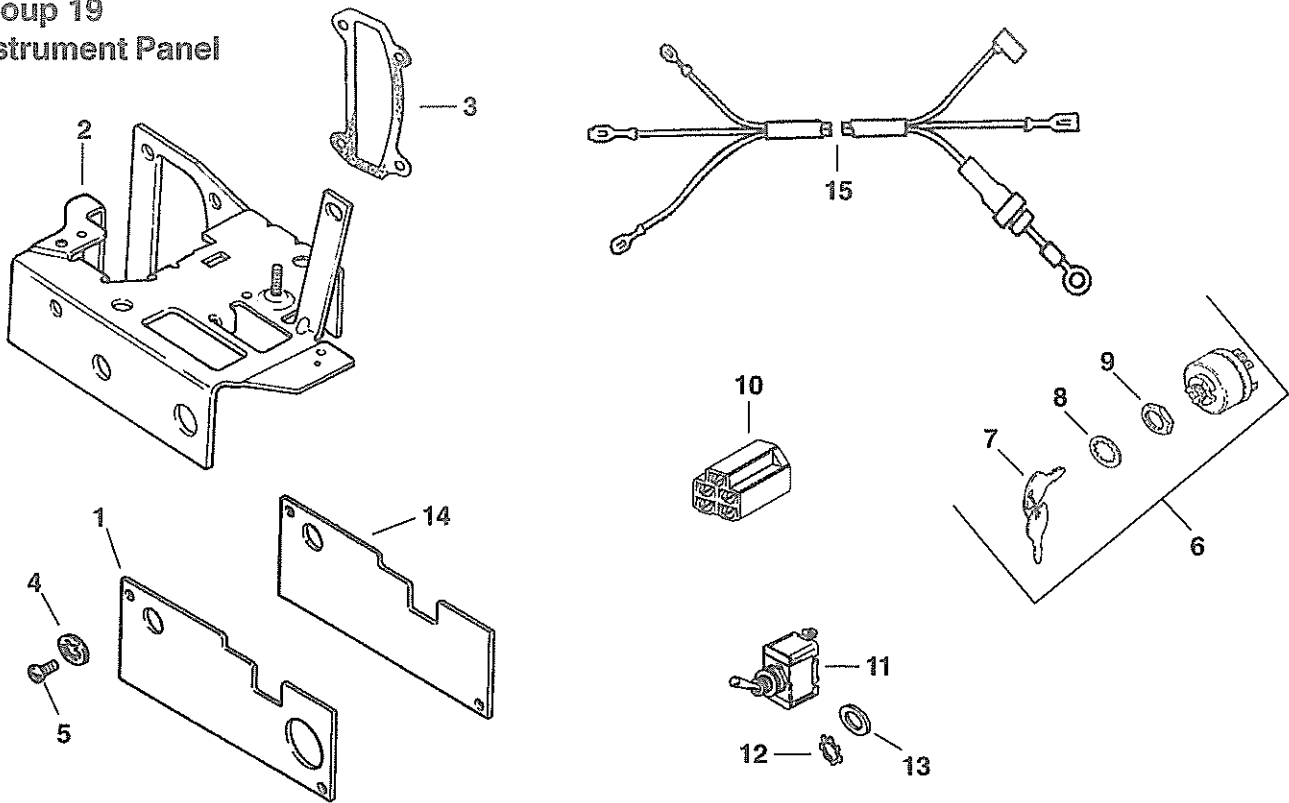
M16

Index Number	Description Variation Number	Part Number	Index Number	Description Variation Number	Part Number
11	Spark plug RH-10 95,97,736,737,738,739,740,741,742, 743,745,746,747,748,750,755	235041-S	24	Stator (1.25 amp) (Replaced by 25 755 12) 748	25 085 03
11	Spark plug RH-10 744 Before Serial No. 1716800013 use: After Serial No. 1716800003 use:	235041-S 41 132 02	25	Screw, sems hex. cap 10-24x1/2" (3) 97,748	25 086 30
12	Clip 95,97,736,737,738,739,740,741,742, 743,744,745,746,747,748,750,755	210281	26	Rectifier-regulator (25 amp) 742,750	25 403 01
13	Kit, rectifier-regulator (15 amp) (Includes 14) 95,736,738,739,740,741,743,744, 746,747,755	25 755 03	27	Harness, wiring (Use after Serial No. 2134400003) 741	45 176 02
14	Screw, sems hex. cap 1/4-20x5/8" (2) 95,736,738,739,740,741,742,743,744, 746,747,750,755	X-132-5	27	Harness, wiring 746	47 176 08
15	Connector 95,736,738,739,740,741,743,744, 746,747,755	236602	27	Harness, wiring 750	47 176 03
16	Connector 738,744	41 155 03	28	Sleeve (Use after Serial No. 2134400003) 741	12 431 01
16	Connector (Use after Serial No. 2014900003) 747	41 155 03	29	Connector 746,750	48 155 01
17	Clip 95,740,741,743,746	235173	30	Connector 750	25 155 06
17	Clip (Use after Serial No. 1913000003) 738,743,744,755	235173	31	Stator (To be replaced by 25 755 15) 97	25 085 02
17	Clip (Use after Serial No. 2014900003) 747	235173	<p>Not Illustrated</p> <p>Lead, violet, rectifier-regulator to connector (12-1/2" - 14 gauge - terminals: 2 uninsulated locking tab female 1/4") 95,739,743,747 47 518 46</p> <p>Lead, violet, rectifier-regulator to connector (23" - 14 gauge - terminals: 2 uninsulated push on tab) 738,744 47 518 36</p> <p>Lead, white, w/diode (Service replacement for all leads w/diodes) (5" - 18 gauge - terminals: 2 insulated push on tab-insulink) 95,738,739,740,741,743,747,755 47 518 43</p> <p>Lead, violet, module to connector (23" - 14 gauge - terminals: 2 uninsulated push on tab) (Use before Serial No. 2134400013) 741 47 518 36</p> <p>Lead, violet, rectifier-regulator to connector (11" - 14 gauge - terminals: 2 insulated push on tab) 746 47 518 33</p> <p>Lead, violet, rectifier-regulator to connector (11" - 14 gauge - terminals: 2 insulated push on tab) (Use before Serial No. 1710200013) 755 47 518 33</p>		
17	Clip 740	47 154 01			
18	Washer, plain 1/4" 740	X-25-72			
19	Screw, sems hex. cap 1/4-20x1/2" (Use after Serial No. 2014900003) 747	X-132-6			
19	Screw, sems hex. cap 1/4-20x1/2" 95,740,741,746	X-132-6			
19	Screw, sems hex. cap 1/4-20x1/2" (Use after Serial No. 1913000003) 738,740,743,744,755	X-132-6			
19	Screw, flange hex. cap 1/4-20x7/16" 740	X-67-83			
20	Connector 739,741,743,748	236473			
21	Connector 741	237088			
22	Connector (Use after Serial No. 1718000003) 745	25 155 03			
23	Connector 97,745	277563			
23	Connector 95	48 155 02			
23	Connector (Use after Serial No. 2014900003) 747	48 155 02			

M16

Ignition
(Cont.)

Index Number	Description Variation Number	Part Number	Index Number	Description Variation Number	Part Number
	Lead, violet, rectifier-regulator to connector (12-1/2" - 14 gauge - terminals: 2 uninsulated locking tang female 1/4") (Use after Serial No. 1710200003) 755	47 518 46		Terminal (2) 742	25 452 06
				Terminal (2) 95,736,738,739,740,741,743,744, 747,748,750,755	25 452 01

Group 19
Instrument Panel


Index Number	Description Variation Number	Part Number	Index Number	Description Variation Number	Part Number
1	Panel, instrument (Use before Serial No. 2119100013) 574,581,582,583,584,593,594	47 378 06	6	Switch assembly, key (Includes 7-9) 574,582,583,584,585,590,594,596, 597,598	25 099 04
1	Panel, instrument 585,589,590	47 378 06	6	Switch, key (Includes 7-9) 595	48 099 01
2	Bracket, control panel (Use after Serial No. 2119100003) 573,574,581,582,583,584,591,592, 593	47 126 43	7	Key (Set of 2) 574,582,583,584,585,590,594,595, 596,597,598	48 340 01
3	Gasket, camshaft cover (Use after Serial No. 2119100003) 574,581,582,583,584,591,593	235025	8	Washer, I.T. 574,582,583,584,585,590,594,595, 596,597,598	48 468 02
4	Washer, lock #10 (2) (Use before Serial No. 1615500013) 573	X-22-9	9	Nut, hex. 9/16-24 574,582,583,584,585,590,594,595, 596,597,598	48 100 01
5	Screw, pan. hd. 10-24x3/8" (2) (Use before Serial No. 1615500013) 573,574,582	X-50-13	10	Connector 574,582,583,584,585,590,594,597	48 155 01
5	Screw, fillister hd. 10-24x3/8" (2) (Use after Serial No. 1615500003, but before Serial No. 2119100003) 573,574,582	X-131-1	11	Switch, toggle 581	151510
5	Screw, fillister hd. 10-24x3/8" (2) (Use before Serial No. 2119100013) 585,591,593	X-131-1	11	Switch, toggle 593	25 099 07
5	Screw, fillister hd. 10-24x3/8" (2) 590,592,594	X-131-1	12	Washer, lock 1/2" 581,593	X-22-26
			13	Washer, plain 7/16" 581,593	X-25-34
			14	Panel, instrument (Use before Serial No. 2119100003) 573,591,592	47 378 05

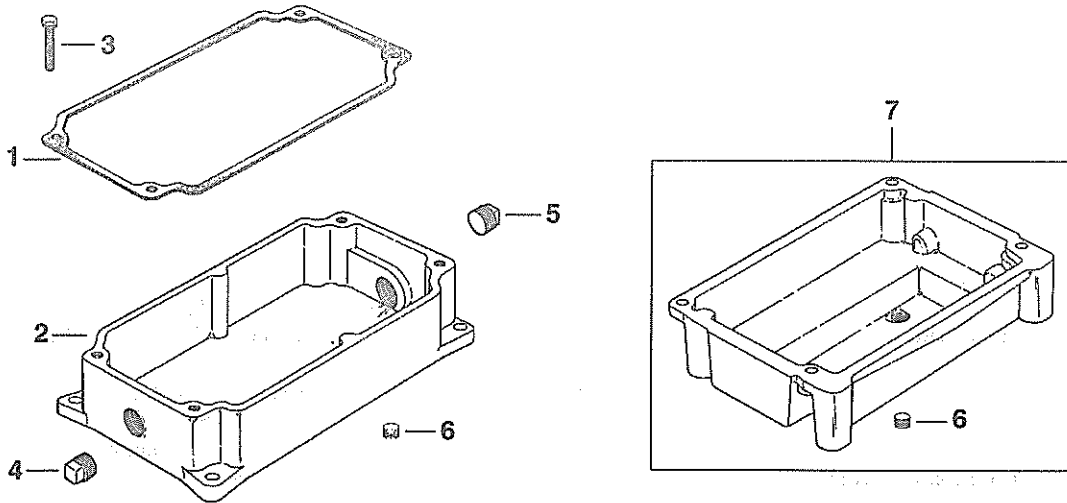
M16

Index Number	Description Variation Number	Part Number	Index Number	Description Variation Number	Part Number
15	Harness, wiring w/diode (Includes fuse 41 304 01) 574,582,583,590	47 176 08		Lead, white, module to switch (21" - 18 gauge - terminals: 1 insulated push on tab, 1 insulated grip barrel eyelet) (Use before Serial No. 1816000013)	
15	Harness, wiring 584	47 176 03		581	41 518 35
15	Harness, wiring (Includes fuse 41 304 01) 585,594	47 176 12		Lead, black, module to switch (21" - 18 gauge - terminals: 1 insulated grip barrel eyelet, 1 insulated push on female 3/16") (Use after Serial No. 1816000003)	
15	Harness, wiring 591	47 176 10		581	47 518 47
15	Harness, wiring (Includes fuse 41 304 01) 593	45 176 01		Lead, violet, key switch to rectifier-regulator (11" - 14 gauge - terminals: 2 uninsulated push on tab) 585	52 518 03
Not Illustrated				Lead, black, to toggle (12" - 14 gauge - terminals: 1 uninsulated push on tab, 1 insulated barrel eyelet) 593	47 518 21
	Lead, violet, key switch to rectifier-regulator (11" - 14 gauge - terminals: 2 uninsulated push on tab) 574,582,590,594	47 518 33		Lead, black, toggle switch jumper (4" - 14 gauge - terminal: 1 insulated grip barrel eyelet) 593	48 518 14
	Lead, green, ground to switch (2" - 18 gauge - terminals: 2 insulated barrel eyelet) 581	47 518 39		Fuse 574,582,583,585,590,593,594	41 304 01
	Lead, white, module to kill switch (19" - 18 gauge - terminals: 2 insulated push on tab) 573,592	47 518 42			

*NOTE: For decals, see Accessories Catalog E-1953-A.

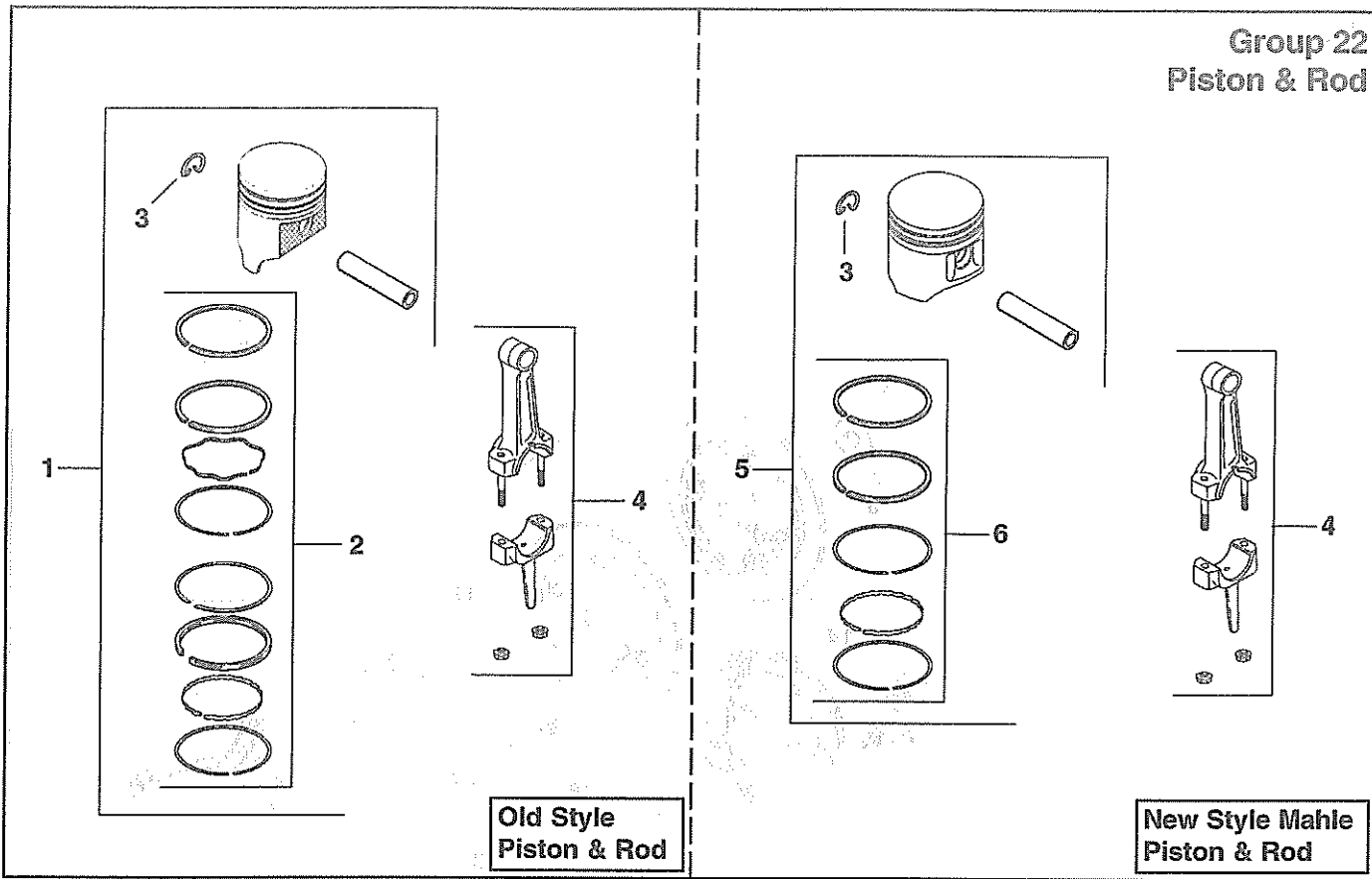
M16

Group 21 Oil Pan



Index Number	Description Variation Number	Part Number	Index Number	Description Variation Number	Part Number
1	Gasket, oil pan 24,557,558,559,560,561,562,564, 565,566,854	235057	3	Screw, sems hex. cap 3/8-16x1-1/2" (4) 25	X-159-4
1	Gasket, oil pan 25,563	235353	4	Plug, sq. hd. 3/4" 558,559,562,565,854	X-75-6
2	Pan, oil (starter side) 24,566	45 199 05	4	Plug, sq. hd. 3/4" (Use after Serial No. 1916600003) 560	X-75-6
2	Pan, oil (side drain) 25,565	236663	4	Plug, sq. hd. 3/8" 24,557,561,564,566	X-75-10
2	Pan, oil (bottom drain) 557,561	235147	5	Plug, hex. hd. 3/8" 557	X-305-4
2	Pan, oil (double drain) 558,560,562	47 199 15	6	Plug, hex. ctsk. 1/4" 25	X-75-38
2	Pan, oil (bottom drain) 559,565	235115	6	Plug, sq. ctsk. 1/2" 558,563,566	X-75-3
2	Pan, oil (side drain) 564	237763	6	Plug, hex. ctsk. 1/4" (4) 563	X-75-38
2	Pan, oil (double drain) 854	47 199 10	7	Kit, oil pan (bottom drain) (Includes 6 qty. 4) 563	47 755 11
3	Screw, hex. cap 3/8-16x1-1/4" (4) 24,557,558,559,560,561,562,564, 565,566,854	X-159-3			

Group 22
Piston & Rod

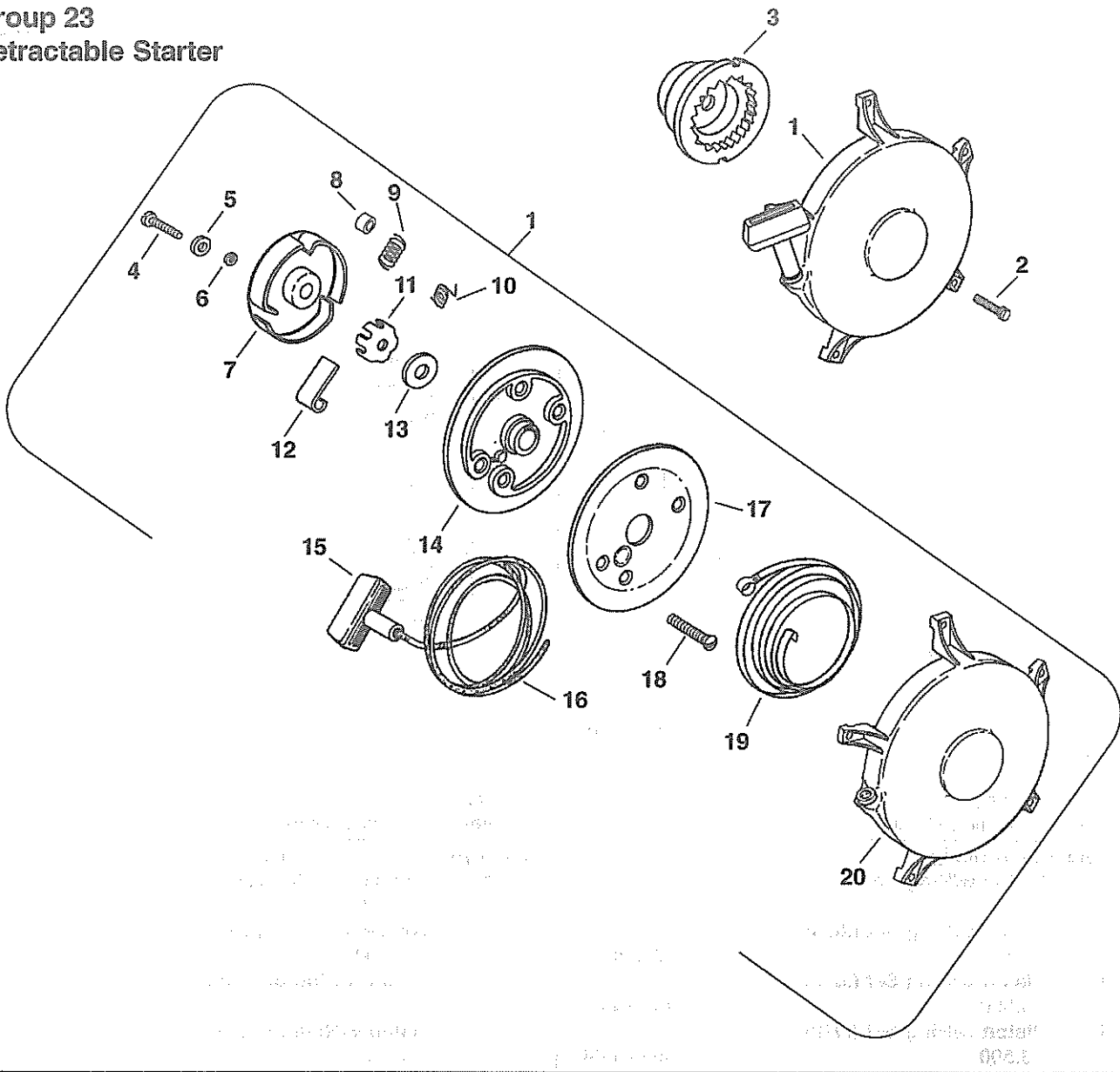


Index Number	Description Variation Number	Part Number	Index Number	Description Variation Number	Part Number
Old Style Piston Design:			New Style Mahle Piston Design:		
1	Piston w/Ring Set (Std.) 3,500	45 874 01	4	Connecting Rod (Std.) 10,500	45 067 24
1	Piston w/Ring Set (.003) 3,500	45 874 02	4	Connecting Rod (.010) 10,500	45 067 25
1	Piston w/Ring Set (.010) 3,500	45 874 03	5	Piston w/Ring Set (Std.) 10,500	45 874 11
1	Piston w/Ring Set (.020) 3,500	45 874 04	5	Piston w/Ring Set (.003) 10,500	45 874 12
1	Piston w/Ring Set (.030) 3,500	45 874 05	5	Piston w/Ring Set (.010) 10,500	45 874 13
2	Ring Set (Std. & .003) 3,500	45 108 06	5	Piston w/Ring Set (.020) 10,500	45 874 14
2	Ring Set (.010) 3,500	45 108 07	5	Piston w/Ring Set (.030) 10,500	45 874 15
2	Ring Set (.020) 3,500	45 108 08	6	Ring Set (Std. & .003) 10,500	45 108 10
2	Ring Set (.030) 3,500	45 108 09	6	Ring Set (.010) 10,500	45 108 11
3	Retainer, piston pin (2) 3,10,500	47 018 01	6	Ring Set (.020) 10,500	45 108 12
4	Connecting Rod (Std.) 3,500	45 067 22	6	Ring Set (.030) 10,500	45 108 13
4	Connecting Rod (.010) 3,500	45 067 23			

NOTE: Order parts according to style used on engine.

M16

Group 23 Retractable Starter

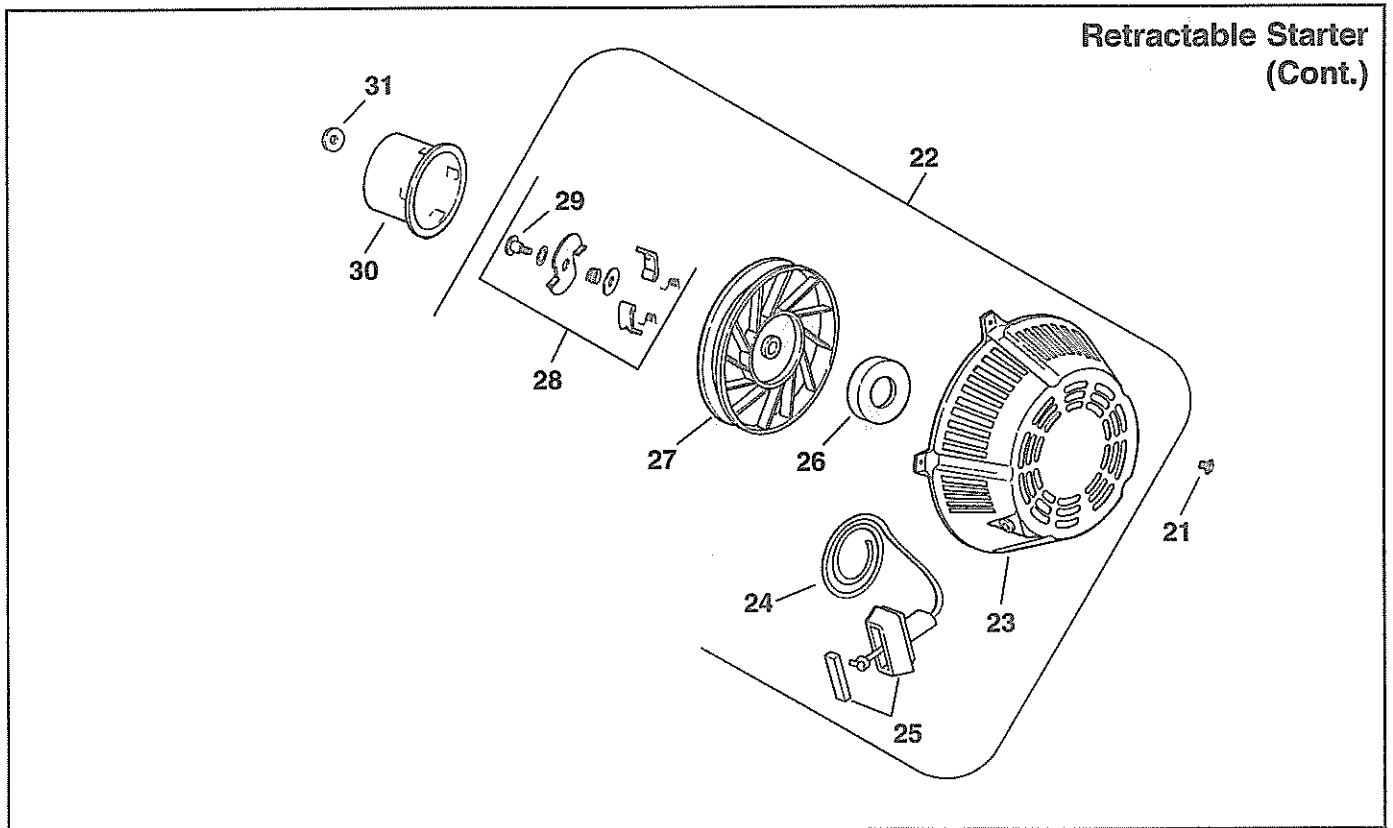


Index Number	Description Variation Number	Part Number	Index Number	Description Variation Number	Part Number
1	Starter, retractable assembly (Includes 4-20) (Use before Serial No. 2027800013) 500,504	47 165 01	2	Screw, sems hex. cap 10-24x5/8" (5) 502,503	X-156-2
1	Starter, retractable assembly (Includes 4-20) (Use before Serial No. 2101400013) 501	47 165 01	2	Screw, sems hex. cap 10-24x5/8" (5) (Use before Serial No. 2027800013) 500,504	X-156-2
1	Starter, retractable assembly (Includes 4-20) 502,503	47 165 01	2	Screw, sems hex. cap 10-24x5/8" (5) (Use before Serial No. 2101400013) 501	X-156-2
1	Starter, retractable assembly (Includes 4-20) (Use before Serial No. 2027800013, and after Serial No. 2119100003) 505	47 165 01	2	Screw, sems hex. cap 10-24x5/8" (5) (Use before Serial No. 2027800013, and after Serial No. 2119100003) 505	X-156-2
			3	Cup, drive 502,503	47 109 01
			3	Cup, drive (Use before Serial No. 2027800013) 500,504	47 109 01

M16

Index Number	Description Variation Number	Part Number	Index Number	Description Variation Number	Part Number
3	Cup, drive (Use before Serial No. 2101400013) 501	47 109 01	11	Brake 500,501,502,503,504,505	231689
3	Cup, drive (Use before Serial No. 2027800013, and after Serial No. 2119100003) 505	47 109 01	12	Dog (3) 500,501,502,503,504,505	231695
4	Screw, hex. cap 10-32x5/8" 500,501,502,503,504,505	231691	13	Washer, thrust 500,501,502,503,504,505	231692
5	Washer, plain 1/4" 500,501,502,504,505	231690	14	Pulley 500,501,502,503,504,505	231697
6	Washer, plain 1/4" 500,501,502,503,504,505	231693	15	Handle, recoil start 500,501,502,503,504,505	234452
7	Retainer 500,501,502,503,504,505	231699	16	Cord, #6 (66" long) 500,501,502,503,504,505	231686
8	Spacer (Use with retainer spring 232525) 500,501,502,503,504,505	47 112 04*	17	Sheave 500,501,502,503,504,505	231685
9	Spring, retainer (Use with spacer 47-112 04) 500,501,502,503,504,505	232525*	18	Screw (4) 500,501,502,503,504,505	231683
10	Spring, dog (3) 500,501,502,503,504,505	41 089 06*	19	Spring, recoil 500,501,502,503,504,505	231705
			20	Housing 500,501,502,503,504,505	235696

*NOTE: Use spacer 47 112 04 with spring retainer 232525 or use dog spring 41 089 06.



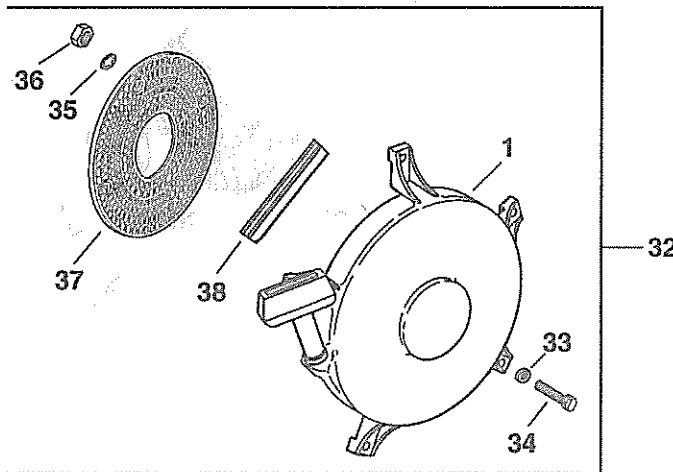
Index Number	Description Variation Number	Part Number	Index Number	Description Variation Number	Part Number
21	Screw, flange hex. cap 10-24x1/4" (5) (Use after Serial No. 2027800003) 500,504	41 086 06	21	Screw, flange hex. cap 10-24x1/4" (5) (Use after Serial No. 2101400003) 501	41 086 06

**Retractable Starter
(Cont.)**

M16

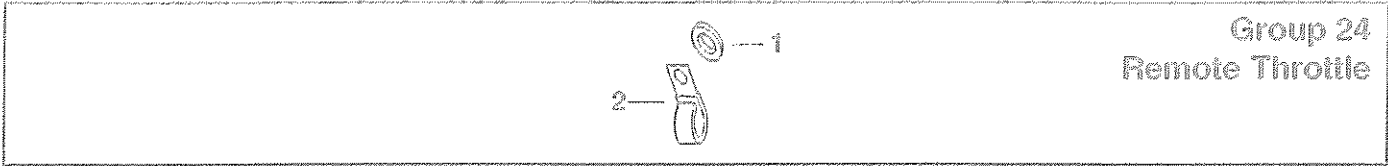
Index Number	Description Variation Number	Part Number	Index Number	Description Variation Number	Part Number
21	Screw, flange hex. cap 10-24x1/4" (5) (Use after Serial No. 2027800003, but before Serial No. 2119100013) 505	41 086 06	27	Pulley 500,501,504,505,506	12 093 01
21	Screw, flange hex. cap 10-24x1/4" 506	41 086 06	28	Kit, pawl (dog) repair (Includes 29) 500,501,502,506	12 757 06
22	Starter, retractable assembly (Includes 23-29) (Use after Serial No. 2027800003) 500,504	12 165 01	29	Screw, pozidriv 12-28x13/16" 500,501,502,506	41 086 09
22	Starter, retractable assembly (Includes 23-29) (Use after Serial No. 2101400003) 501	12 165 01	30	Cup, drive (Use after Serial No. 2027800003) 500,504	15 109 01
22	Starter, retractable assembly (Includes 23-29) (Use after Serial No. 2027800003, but before Serial No. 2119100013) 505	12 165 01	30	Cup, drive (Use after Serial No. 2101400003) 501	15 109 01
22	Starter, retractable assembly (Includes 23-29) 506	12 165 01	30	Cup, drive (Use after Serial No. 2027800003, but before Serial No. 2119100013) 505	15 109 01
23	Housing 500,501,504,505,506	12 081 01	30	Cup, drive 506	15 109 01
24	Rope 500,501,504,505,506	12 160 01	31	Washer, plain 3/8" (Use after Serial No. 2027800003) 500,504	47 468 09
25	Handle, recoil start 500,501,504,505,506	234452	31	Washer, plain 3/8" (Use after Serial No. 2101400003) 501	47 468 09
26	Spring, keeper 500,501,504,505,506	12 089 06	31	Washer, plain 3/8" (Use after Serial No. 2027800003, but before Serial No. 2119100013) 505	47 468 09
			31	Washer, plain 3/8" 506	47 468 09

**Retractable Starter
(Cont.)**



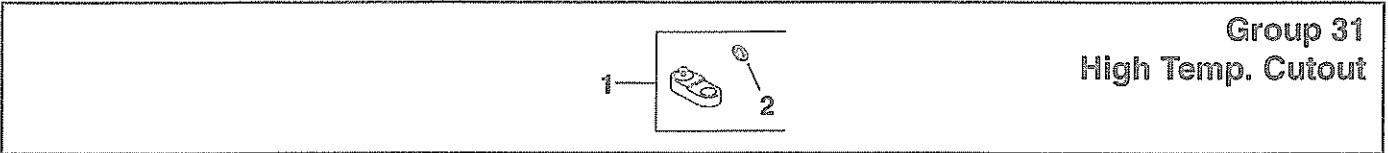
Index Number	Description Variation Number	Part Number	Index Number	Description Variation Number	Part Number
32	Starter, retractable assembly (Includes 1,33-38) 503	A-237251	35	Washer, lock #10 (5) 503	X-22-22
33	Washer, plain #8 (5) 503	X-25-92	36	Nut, hex. 10-32 (5) 503	X-70-3
34	Screw, hex. cap 10-32x1/2" (5) 503	X-97-2	37	Screen, grass 503	237250
			38	Channel, rubber 503	X-532-2

M16



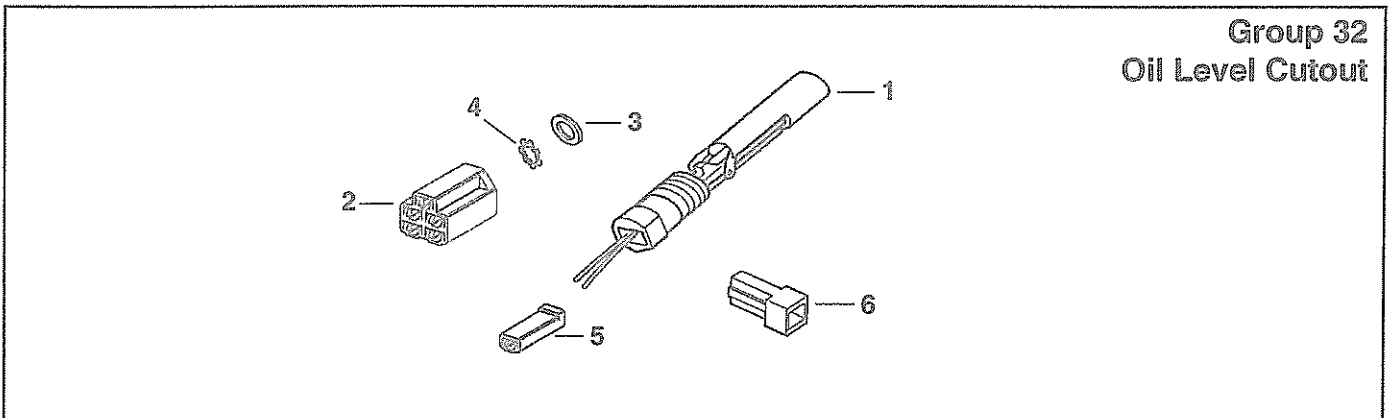
Group 24
Remote Throttle

Index Number	Description Variation Number	Part Number	Index Number	Description Variation Number	Part Number
1	Washer, plain 3/16" 500	X-25-92	2	Clip, cable 500	47 154 01



Group 31
High Temp. Cutout

Index Number	Description Variation Number	Part Number	Index Number	Description Variation Number	Part Number
1	Kit, high temperature cutout (Includes 2) 1	47 703 01	2	Washer, plain 3/8" 1	47 468 07



Group 32
Oil Level Cutout

Index Number	Description Variation Number	Part Number	Index Number	Description Variation Number	Part Number
1	Kit, oil sentry w/float switch (Includes decal 25 113 05, terminals: 25 452 03, 25 452 07, sleeve 25 431 02) 502,505,506,507,508	25 704 03	5	Connector (Use before Serial No. 2023800013) 507	277563
1	Kit, oil sentry w/float switch (Includes decal 25 113 05, terminals: 25 452 01, 25 452 02, 25 452 03, sleeve 25 431 03) 503	25 704 04	6	Connector (Use before Serial No. 2023800013) 507	25 155 03
2	Connector 503	48 155 01	Not Illustrated		
3	Washer, plain 1/4" 505,507	X-25-63		Terminal, ring tongue 502,503,505,506,507,508	25 452 03
4	Washer, lock 1/4" 508	X-22-12		Terminal 502,503,505,506,507,508	25 452 07
5	Connector (Use before Serial No. 1922900013) 505	277563		Terminal (2) 503	25 452 01
				Terminal, ring tongue 503	25 452 02
				Sleeving 502,505,506,507,508	25 431 02
				Sleeving 503	25 431 03

M16

Description	Part Number	Description	Part Number
Gasket Set (w/seals)	45 755 12	Gasket Set (w/o seals)	45 004 06
Set Includes:		Set Includes:	
Plug, cup	X-702-3	Plug, cup	X-702-3
Seal, breather	231032	Seal, breather	231032
Gasket, oil pan	235353	Gasket, camshaft cover (2)	235025
Gasket, camshaft cover (2)	235025	Gasket, valve cover	235048
Gasket, valve cover	235048	Gasket, oil pan	235057
Gasket, oil pan	235057	Gasket, oil pan	235353
Gasket, exhaust	45 041 15	Gasket, exhaust	45 041 15
Gasket, oil fill tube	237064	Gasket, oil fill tube	237064
Gasket, valve cover	275144	Gasket, valve cover	275144
Gasket, cylinder head	45 041 17	Gasket, cylinder head	45 041 17
Seal, front oil	47 032 06	Gasket, fuel pump	25 041 09
Seal, rear oil	47 032 07	Gasket, air cleaner	47 041 05
Gasket, fuel pump	25 041 09	Gasket, bearing plate	47 041 09
Gasket, air cleaner	47 041 05	Gasket, carburetor	47 049 01
Gasket, bearing plate	47 041 09	Gasket, bearing plate (3)	47 422 05
Gasket, carburetor	47 049 01	Gasket, fuel pump	25 041 05
Gasket, bearing plate (3)	47 422 05		
Gasket, fuel pump	25 041 05		

FOR SALES AND SERVICE INFORMATION
IN U.S. AND CANADA, CALL
1-800-544-2444

KOHLER[®]engines

ENGINE DIVISION, KOHLER CO., KOHLER, WISCONSIN 53044

FORM NO.:	TP-2232-D
ISSUED:	3/86
REVISED:	1/95
MAILED:	6/95

LITHO IN U.S.A.